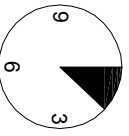
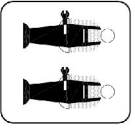
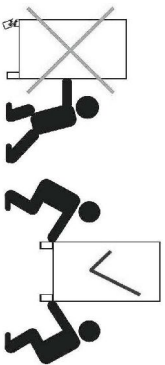
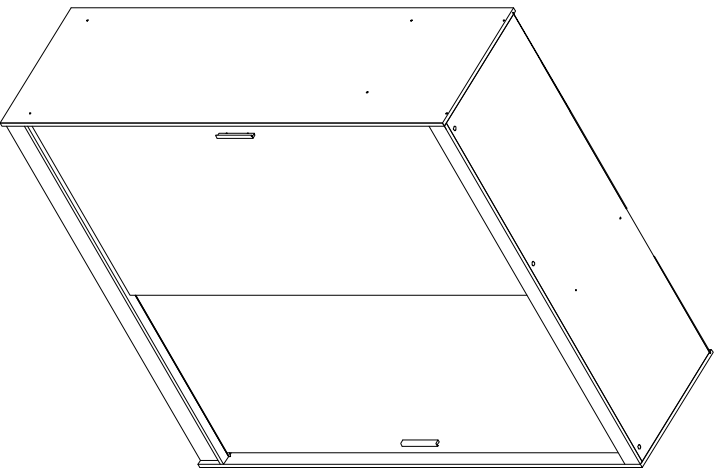
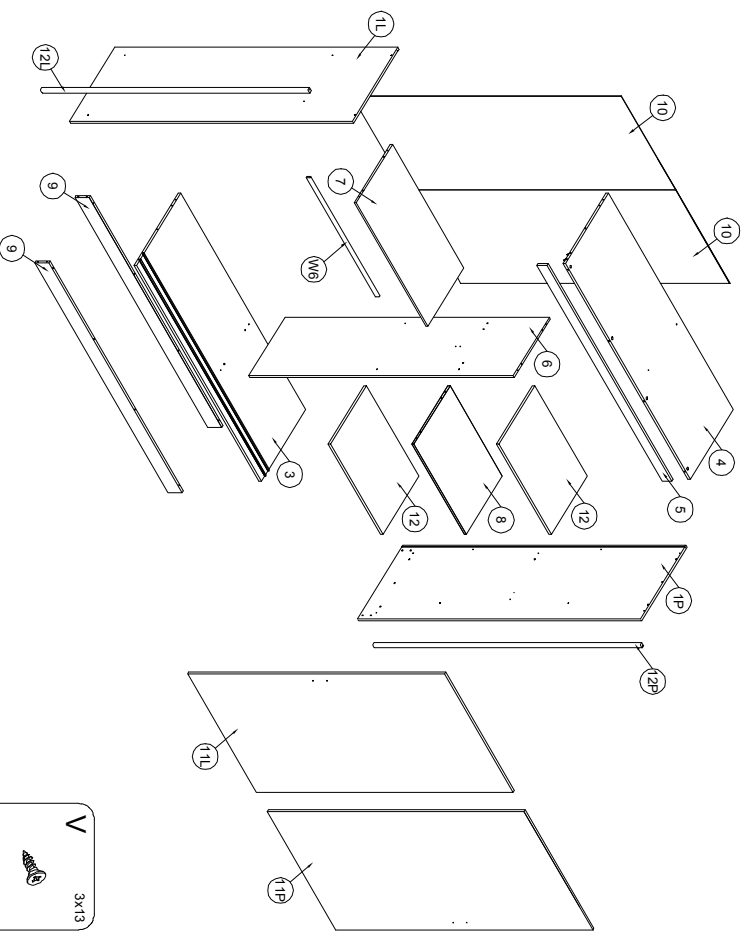


180

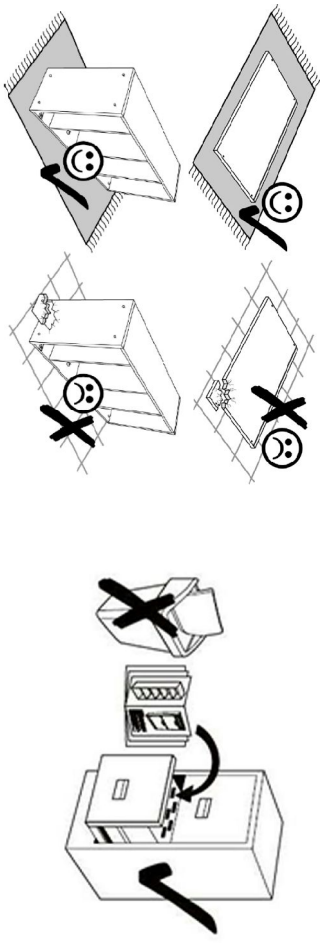


2-2,5

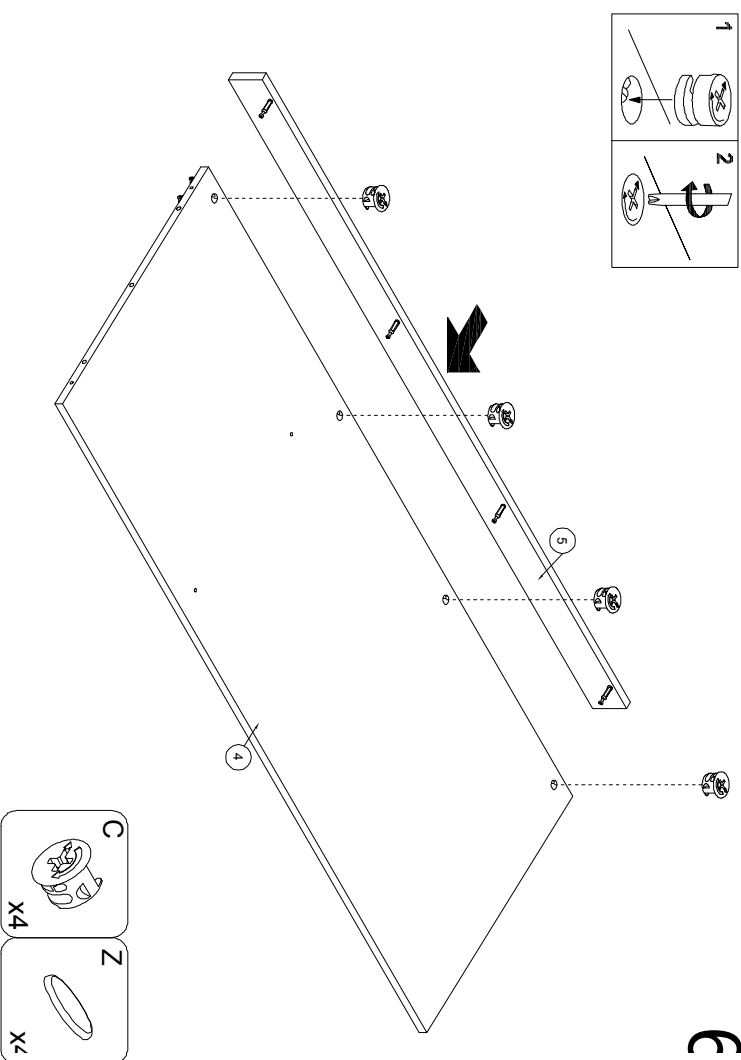
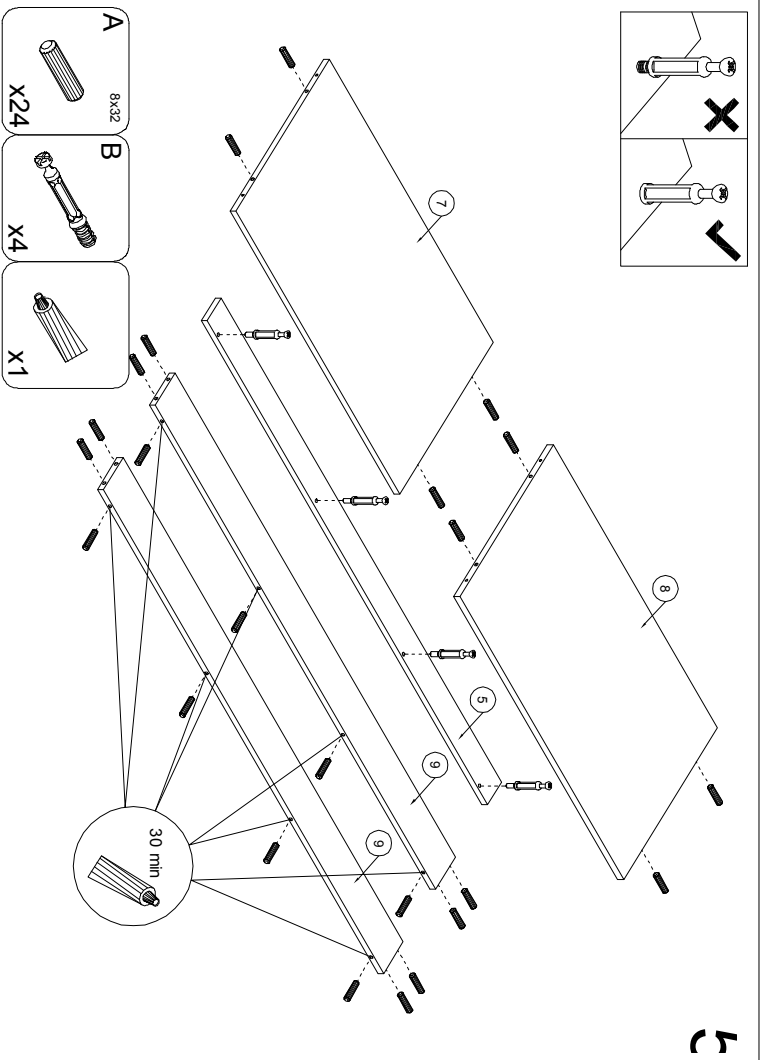
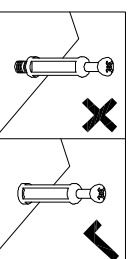
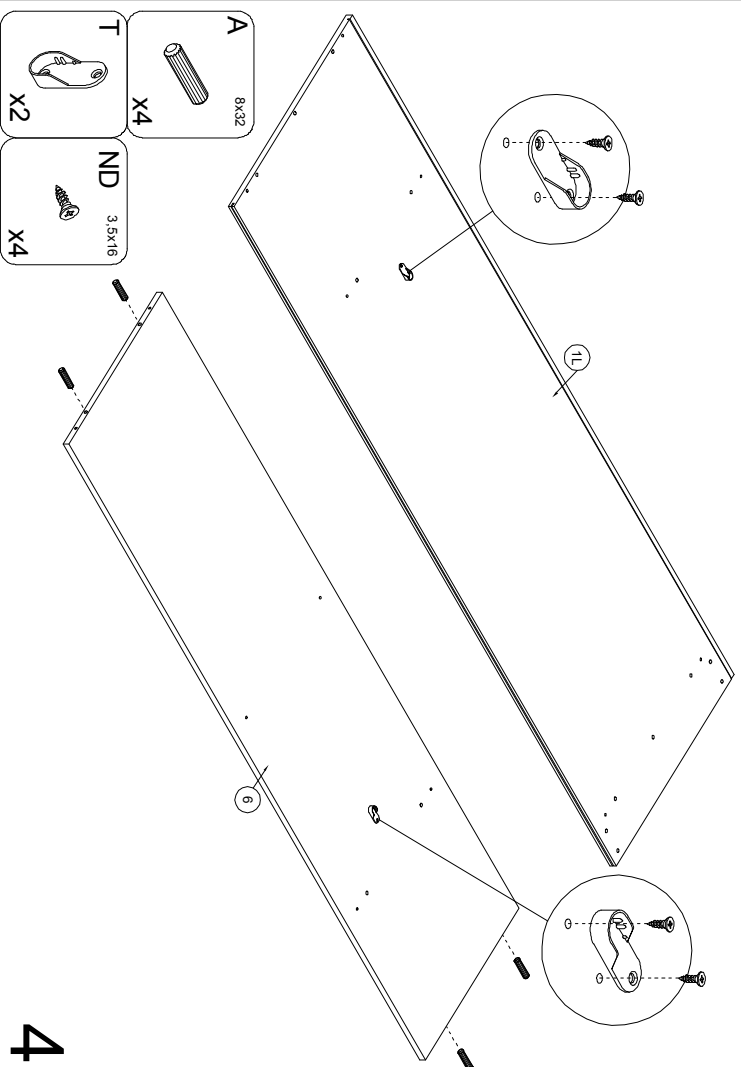
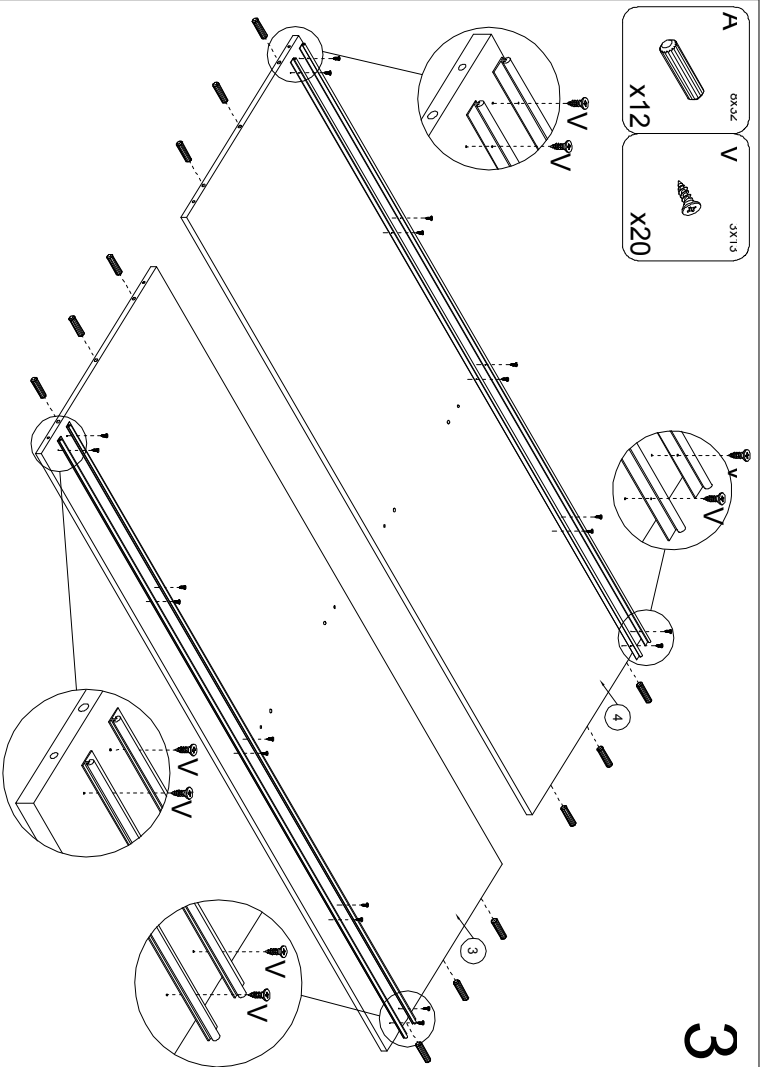
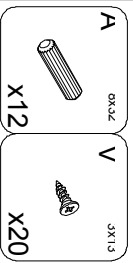
1

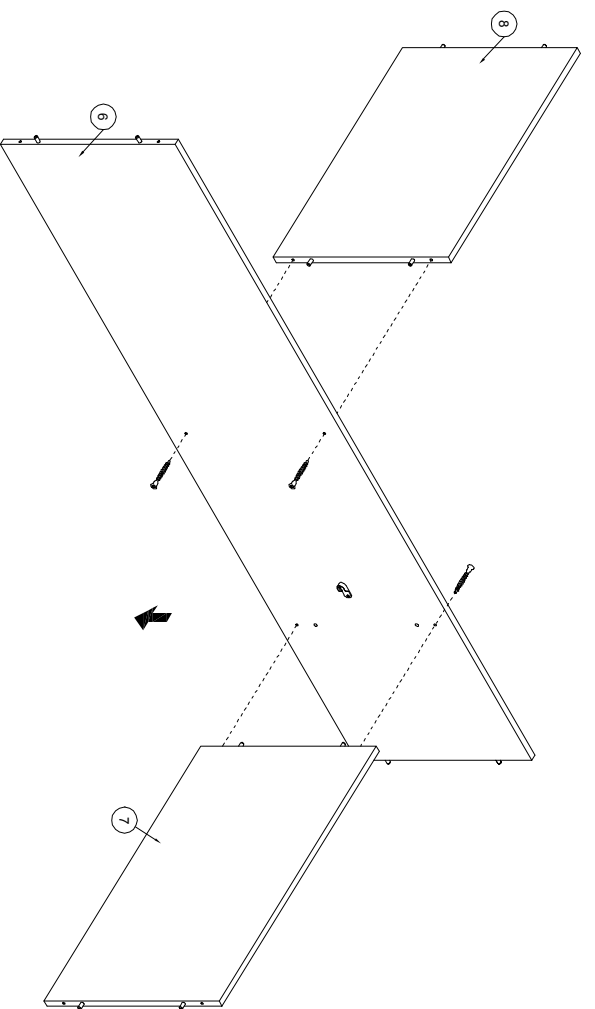


<b>ŞP</b> X12	<b>H</b> X16	<b>W</b> X2	<b>YA</b> X4	<b>L5</b> X1	<b>D</b> X4	<b>DB</b> X2	<b>LM</b> X10	<b>V</b> X20
<b>W6</b> X1	<b>ZB</b> X8	<b>X</b> X8	<b>ZC</b> X13	<b>DA</b> X4	<b>N</b> X53	<b>YD</b> X20	<b>WB</b> X1	
<b>A</b> X40	<b>T</b> X2	<b>ND</b> X16	<b>B</b> X4	<b>GLUE</b> X2	<b>C</b> X4	<b>Z</b> X4	<b>ZG</b> X20	
<b>8x32</b>		<b>3.5x16</b>						
<b>6.3x13</b>			<b>4x35</b>		<b>3x20</b>	<b>7x50</b>		



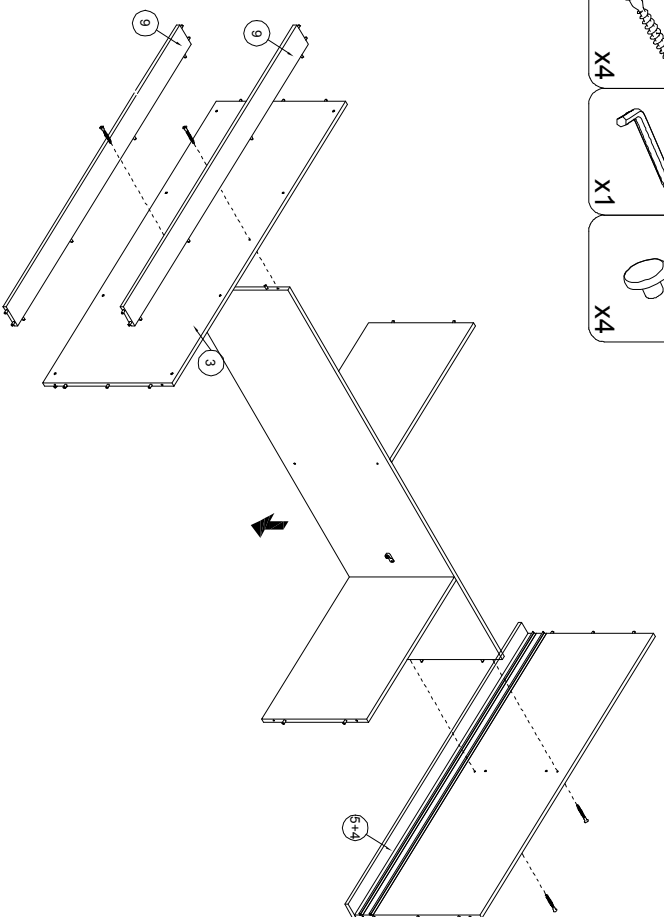
2





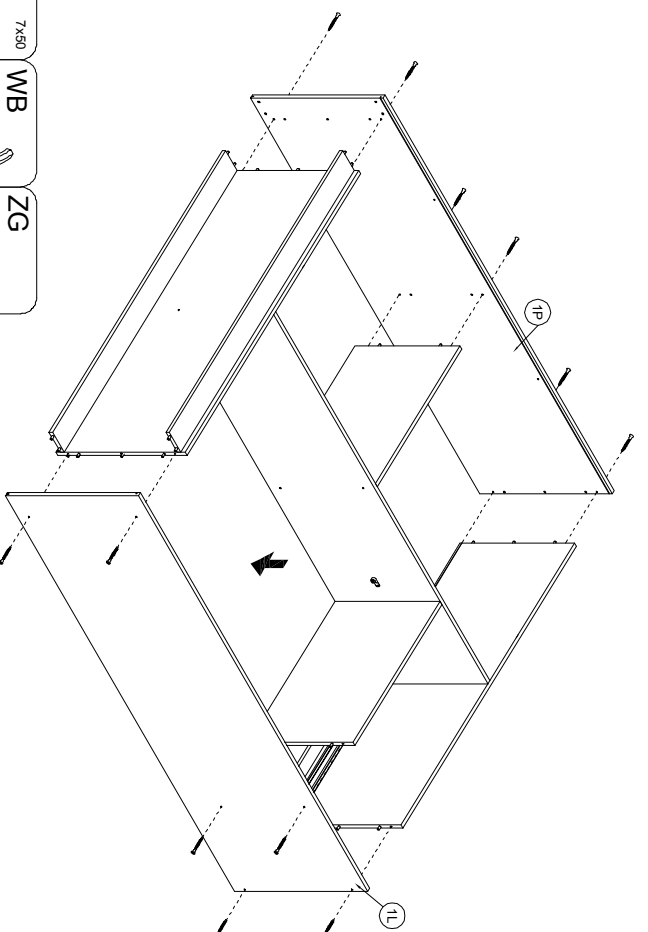
- YD 7x50 X4
- WB X1
- ZG X4

7



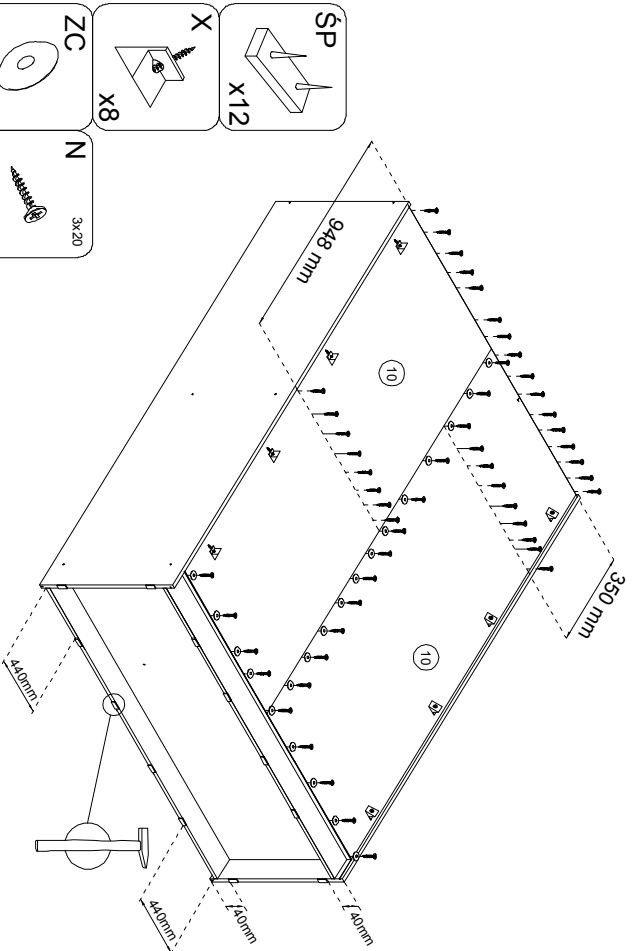
- YD 7x50 X4
- WB X1
- ZG X4

8



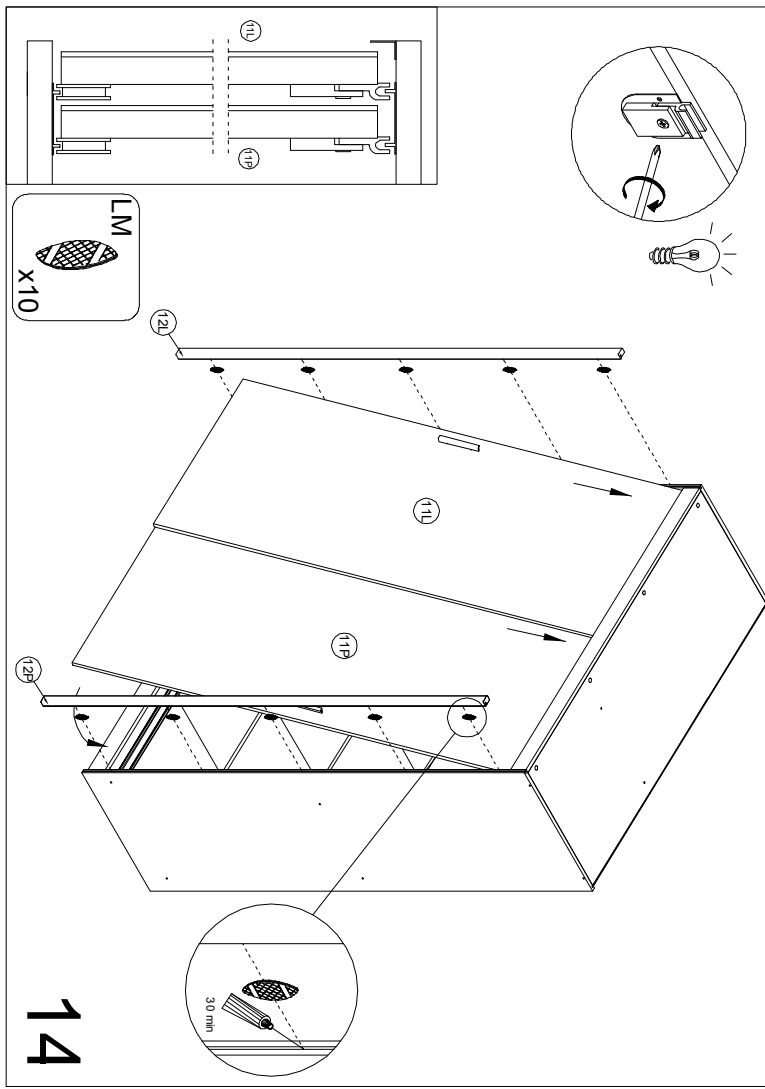
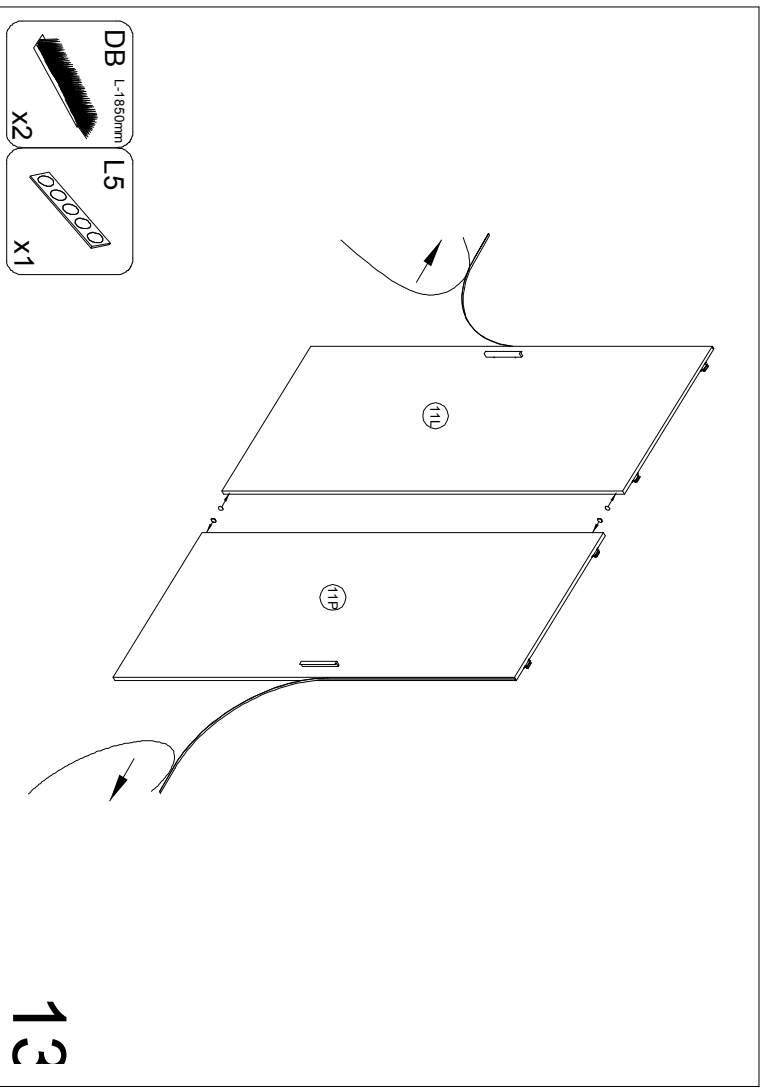
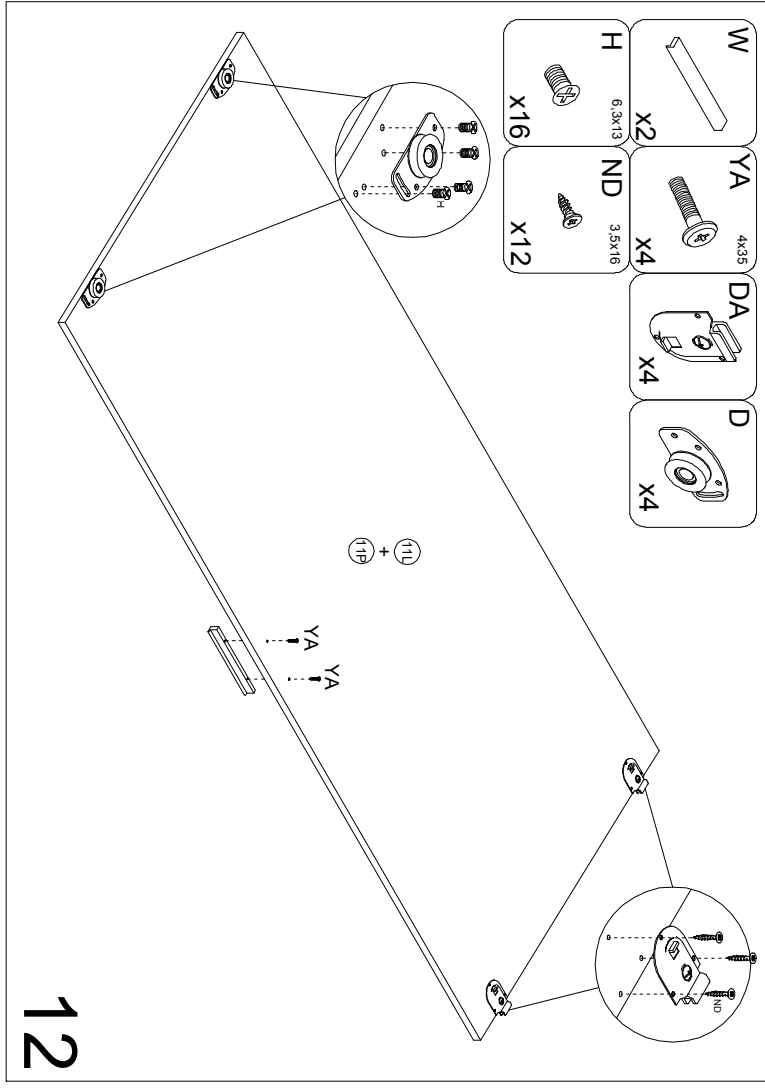
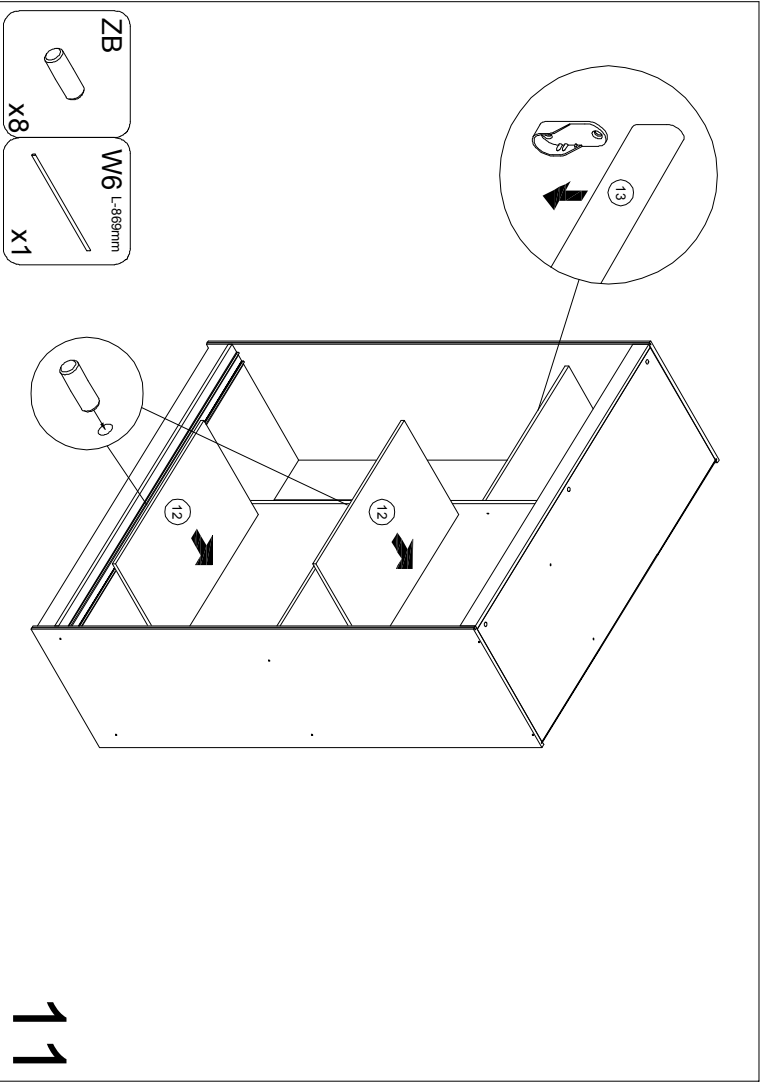
- YD 7x50 X12
- WB X1
- ZG X12

9

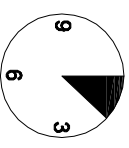
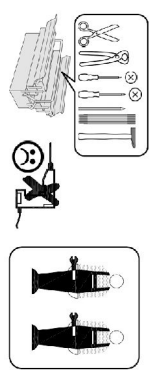
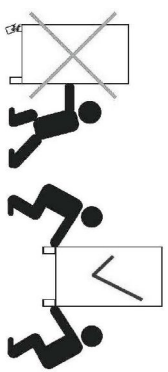
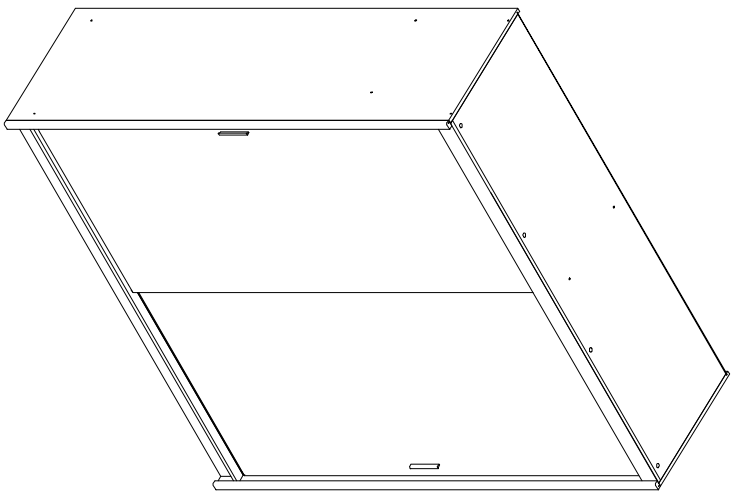


- SP X12
- X X8
- ZC X23
- N 3x20 X53

10

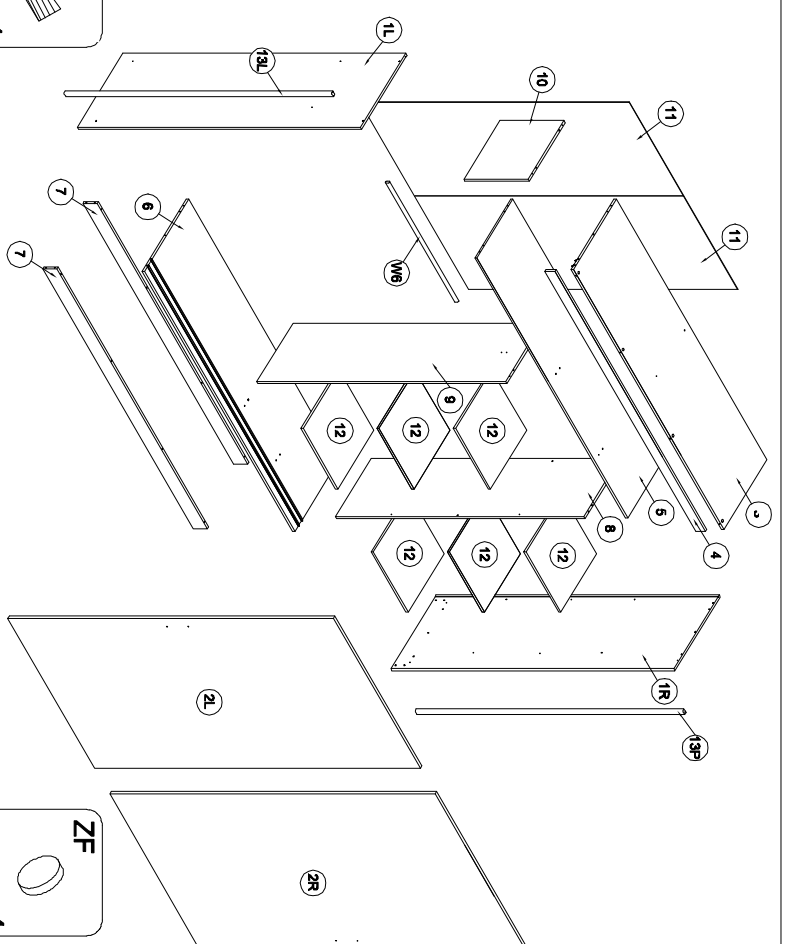


200

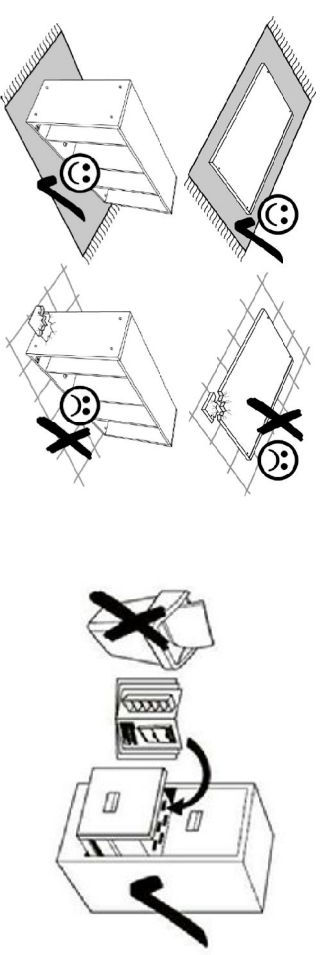


2-2,5

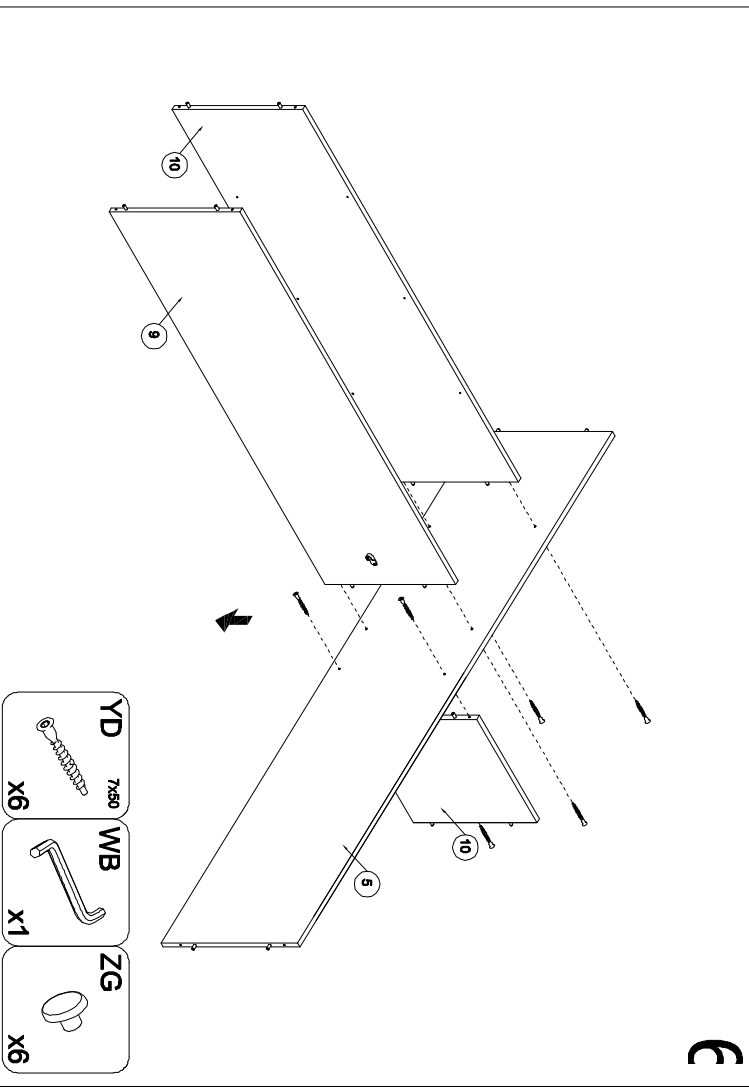
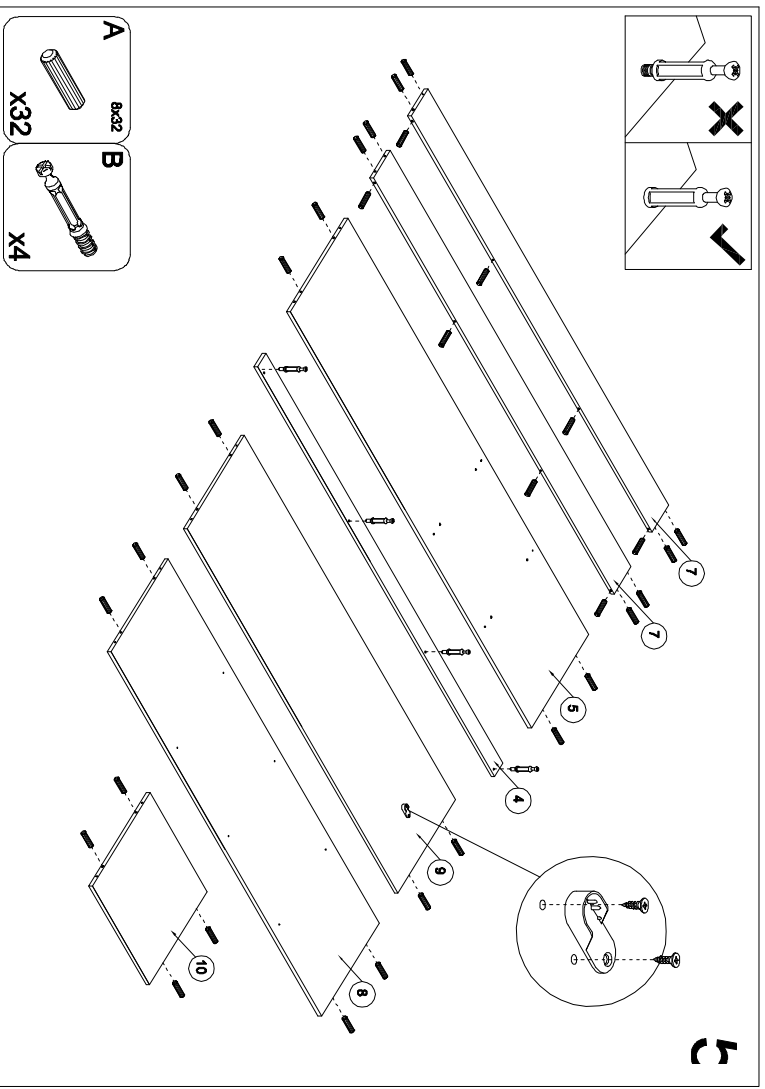
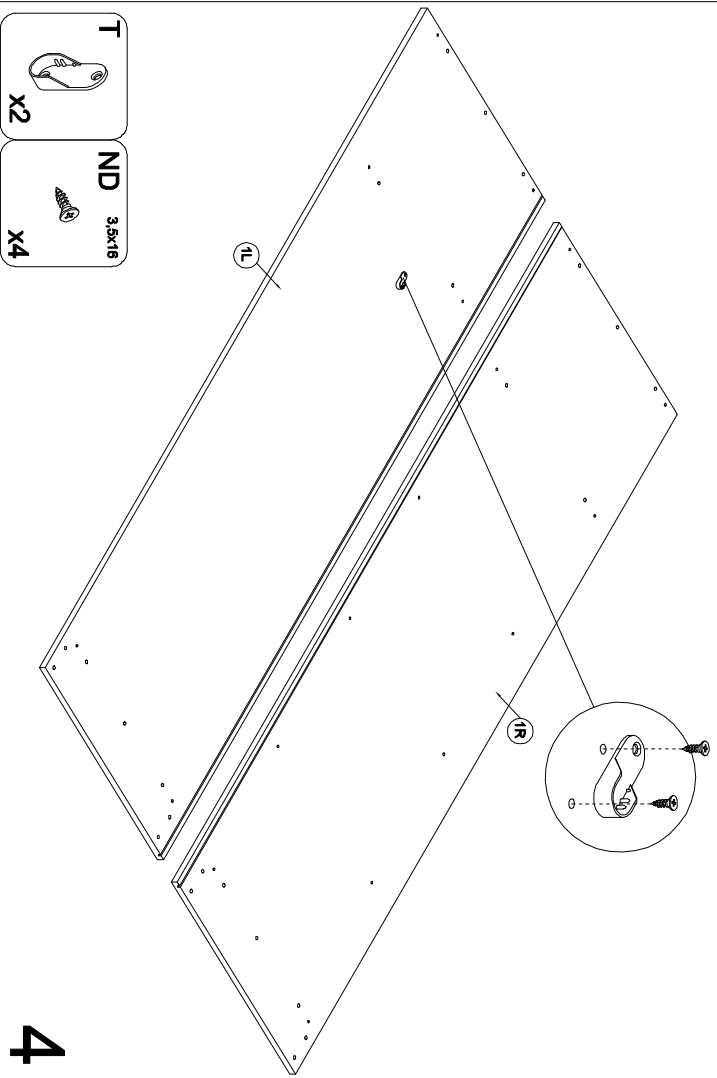
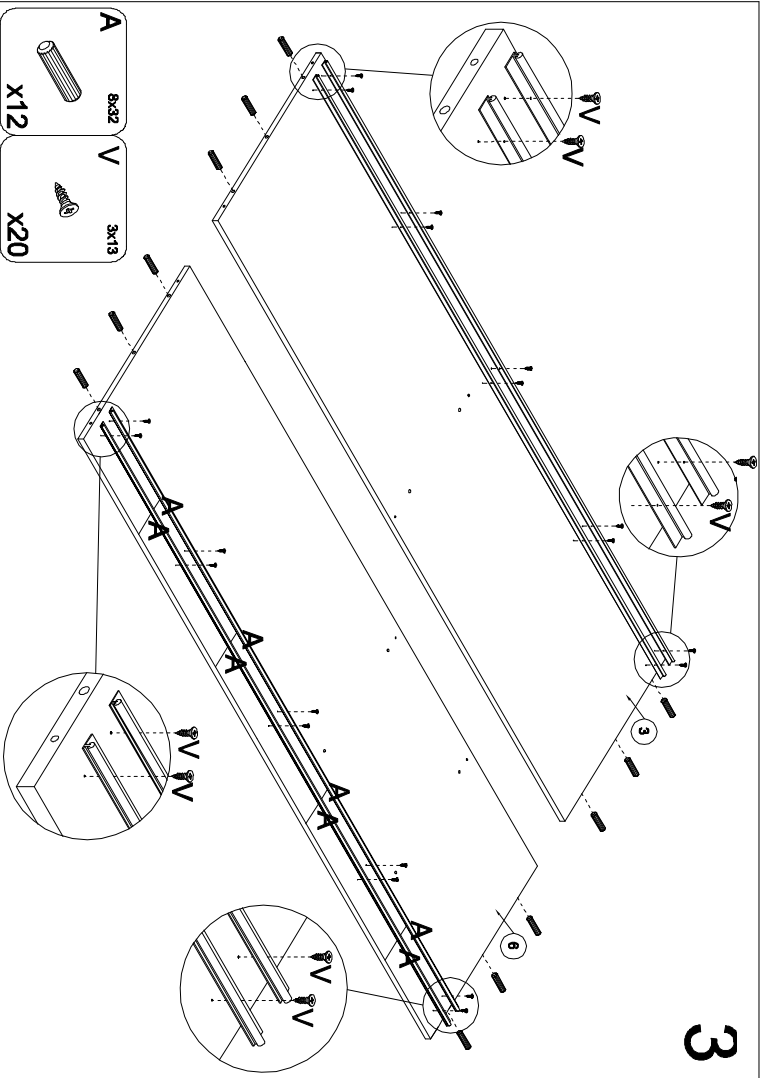
1

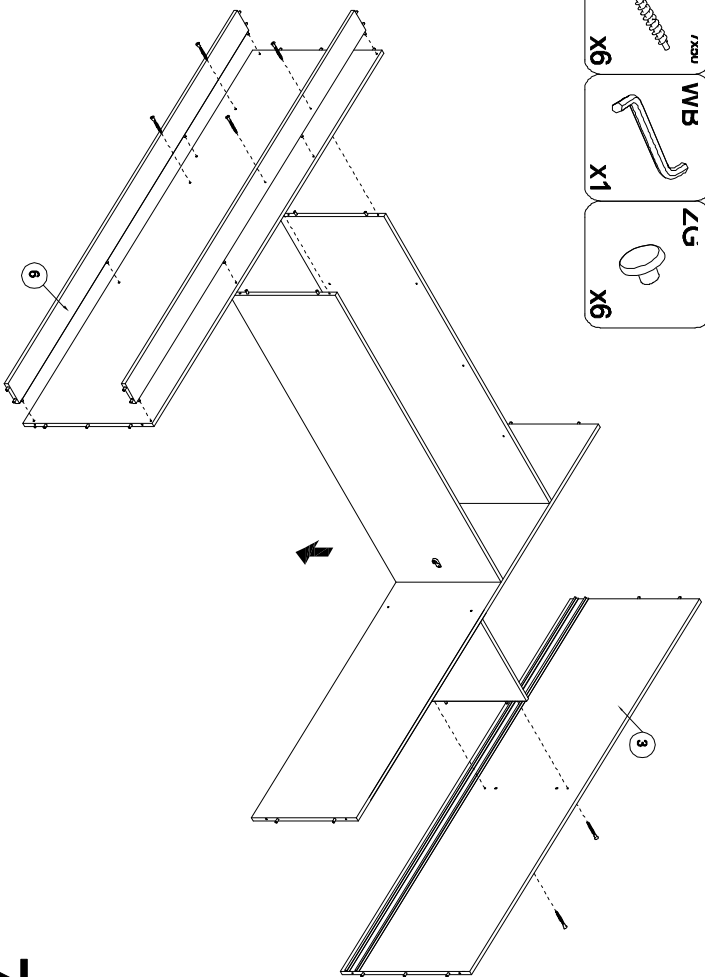
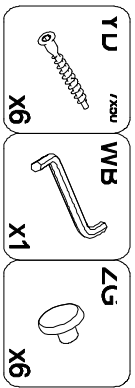


<b>W2</b> X1	<b>YA</b> 4x35 X4	<b>LM</b> X12	<b>V</b> 3x13 X20	<b>H</b> 6,3x13 X16	<b>DA</b> X4	<b>D</b> X4	<b>ZF</b> X4
<b>W6</b> L-1076mm X2	<b>ZB</b> X24	<b>SP</b> X12	<b>ZC</b> X3	<b>ND</b> 3,5x16 X12	<b>N</b> 3x20 X70	<b>YD</b> 7x50 X24	<b>DB</b> L-1890mm X2
<b>A</b> 8x32 X44	<b>T</b> X2	<b>X</b> X10	<b>B</b> X4	<b>S</b> L-1645mm X1	<b>C</b> X4	<b>Z</b> X4	<b>ZG</b> X24
<b>WB</b> X1	<b>WB</b> X1						

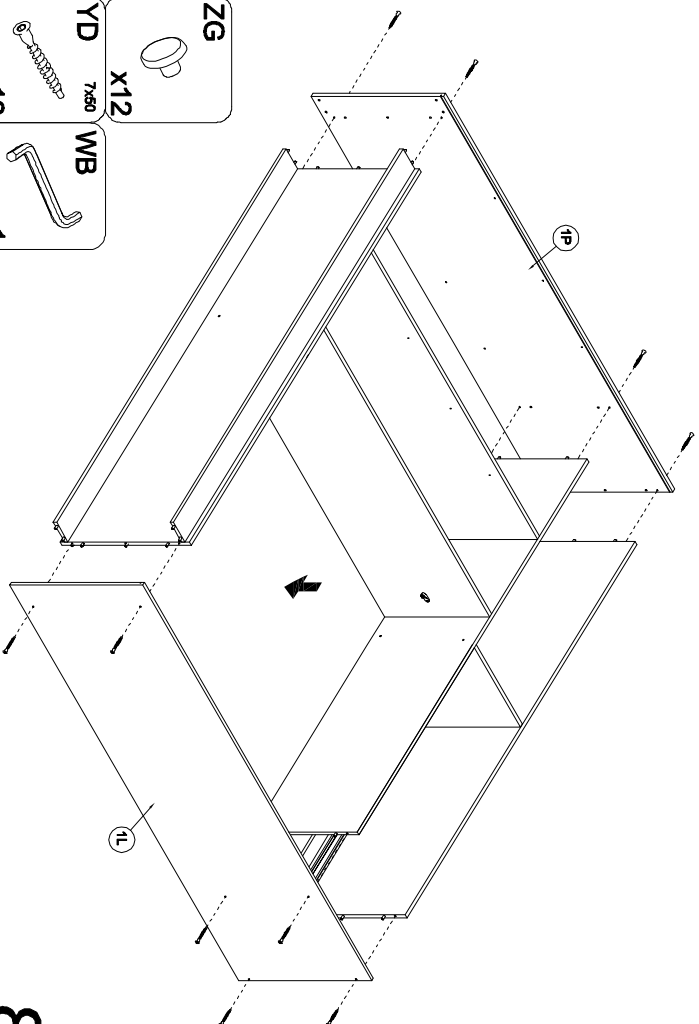
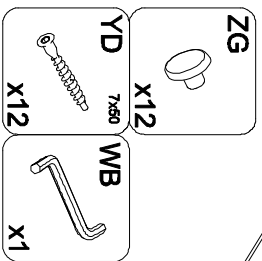


2

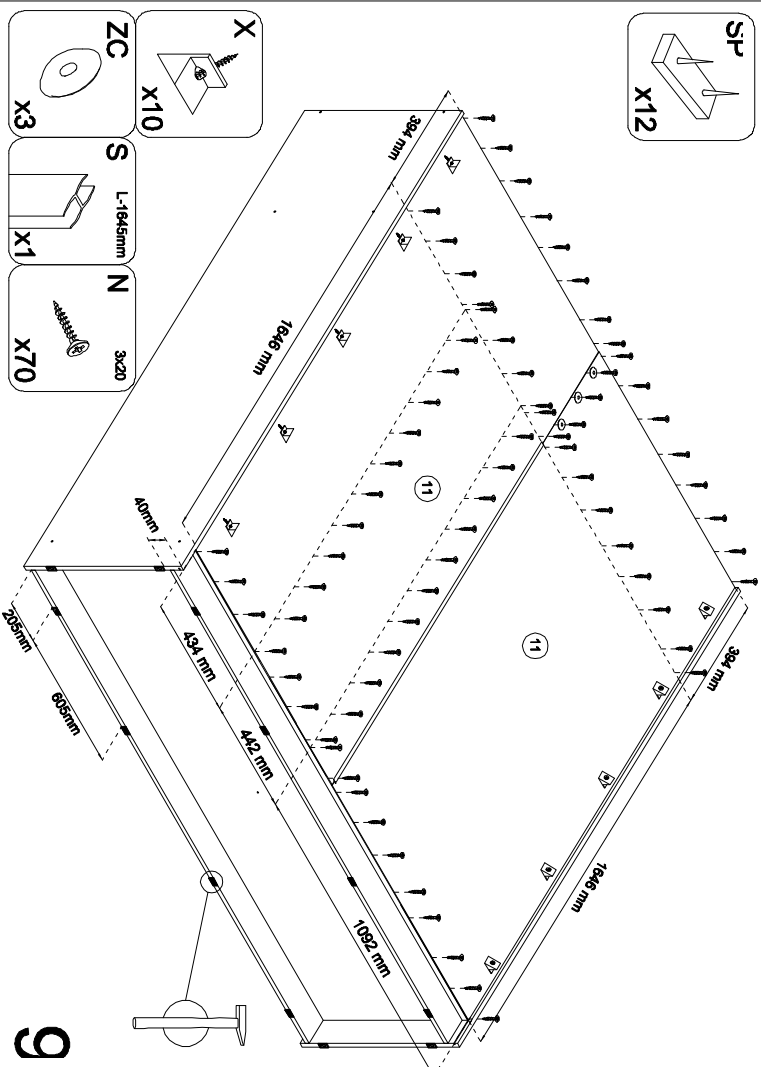
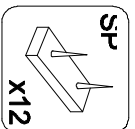




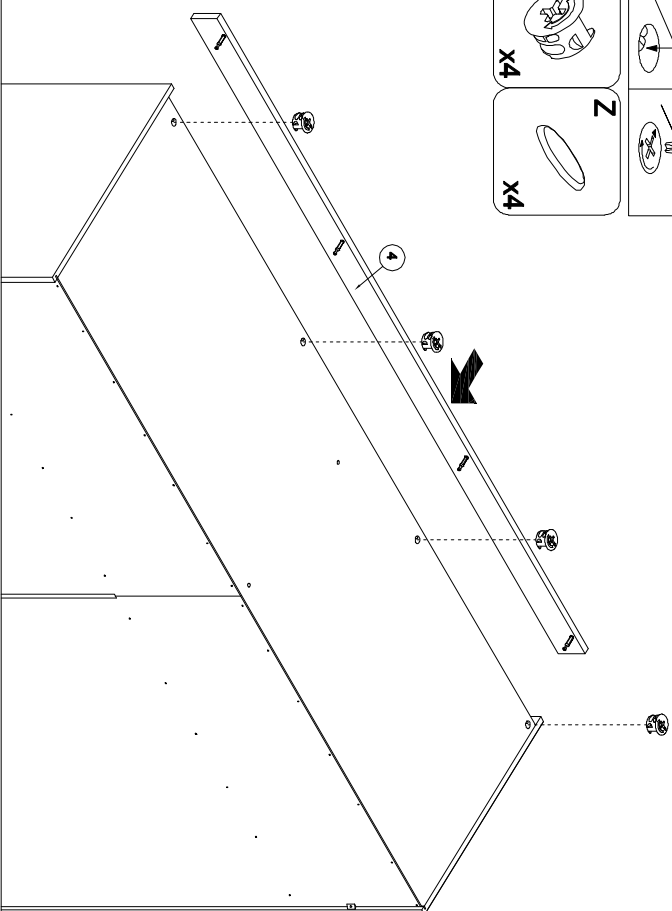
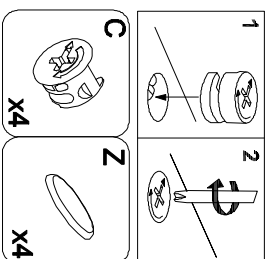
7





8

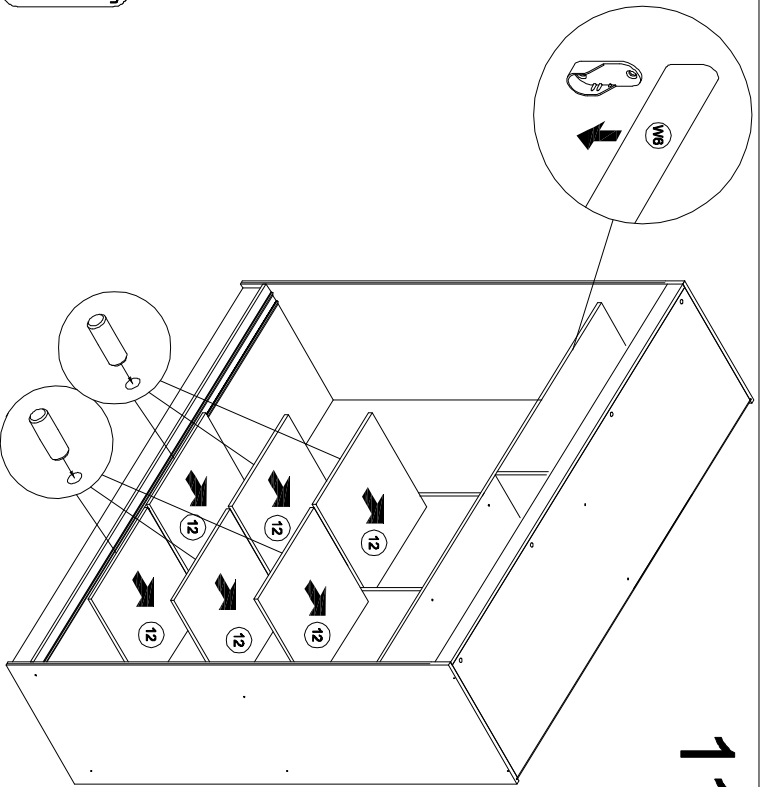


9









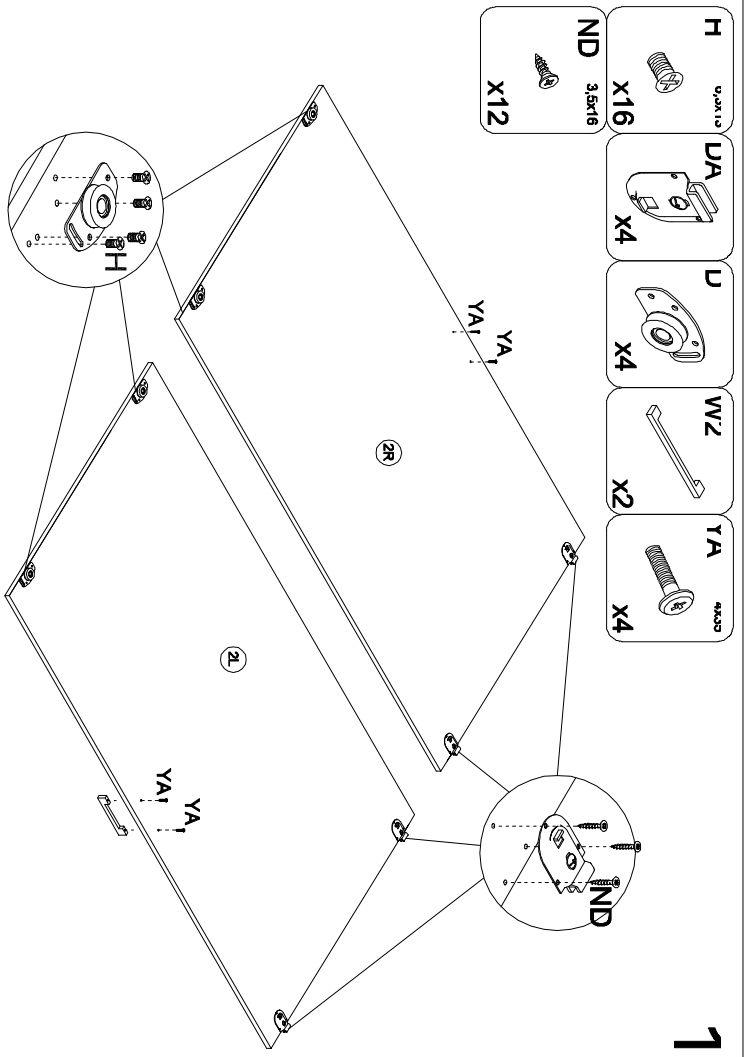
10

- ZB  X24
- W6 L-1076mm  X1





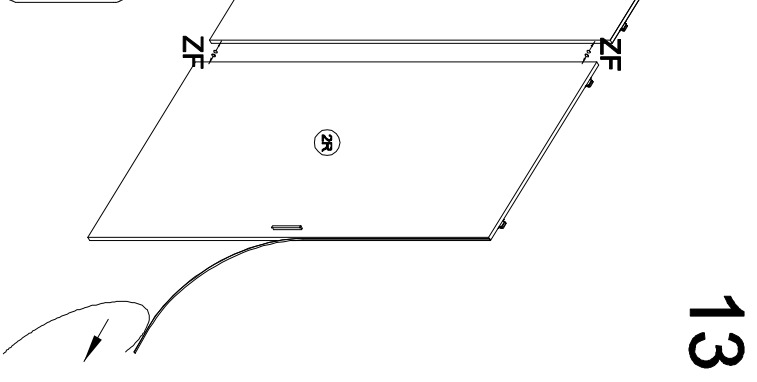
11

- H  X16
- ND  3x6x16 X12
- UA  X4
- U  X4
- W2  X2
- YA  X4

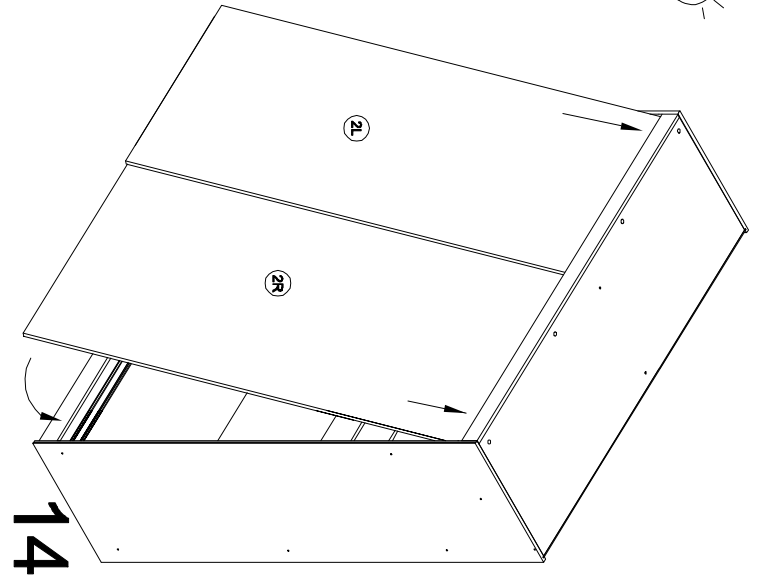
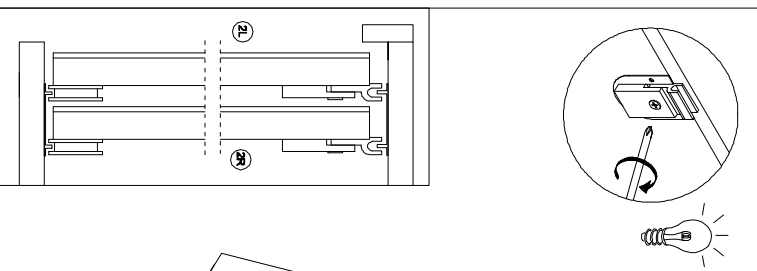


12


- DB L-1860mm  X2
- ZF  X4

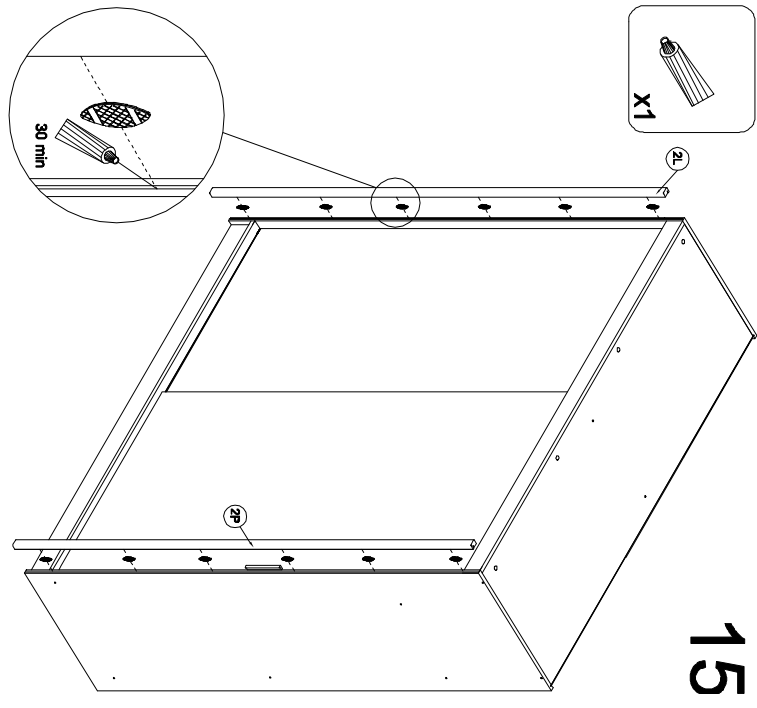


13



14

-  X1



15