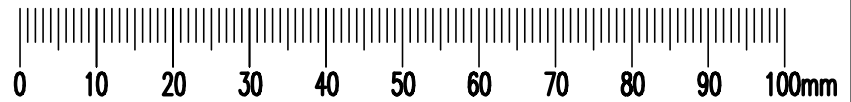
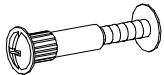
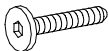
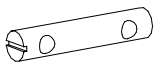
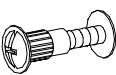
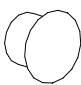
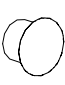
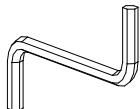
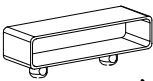
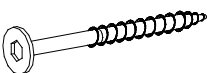
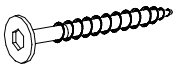


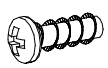


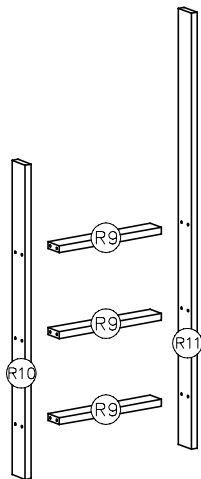
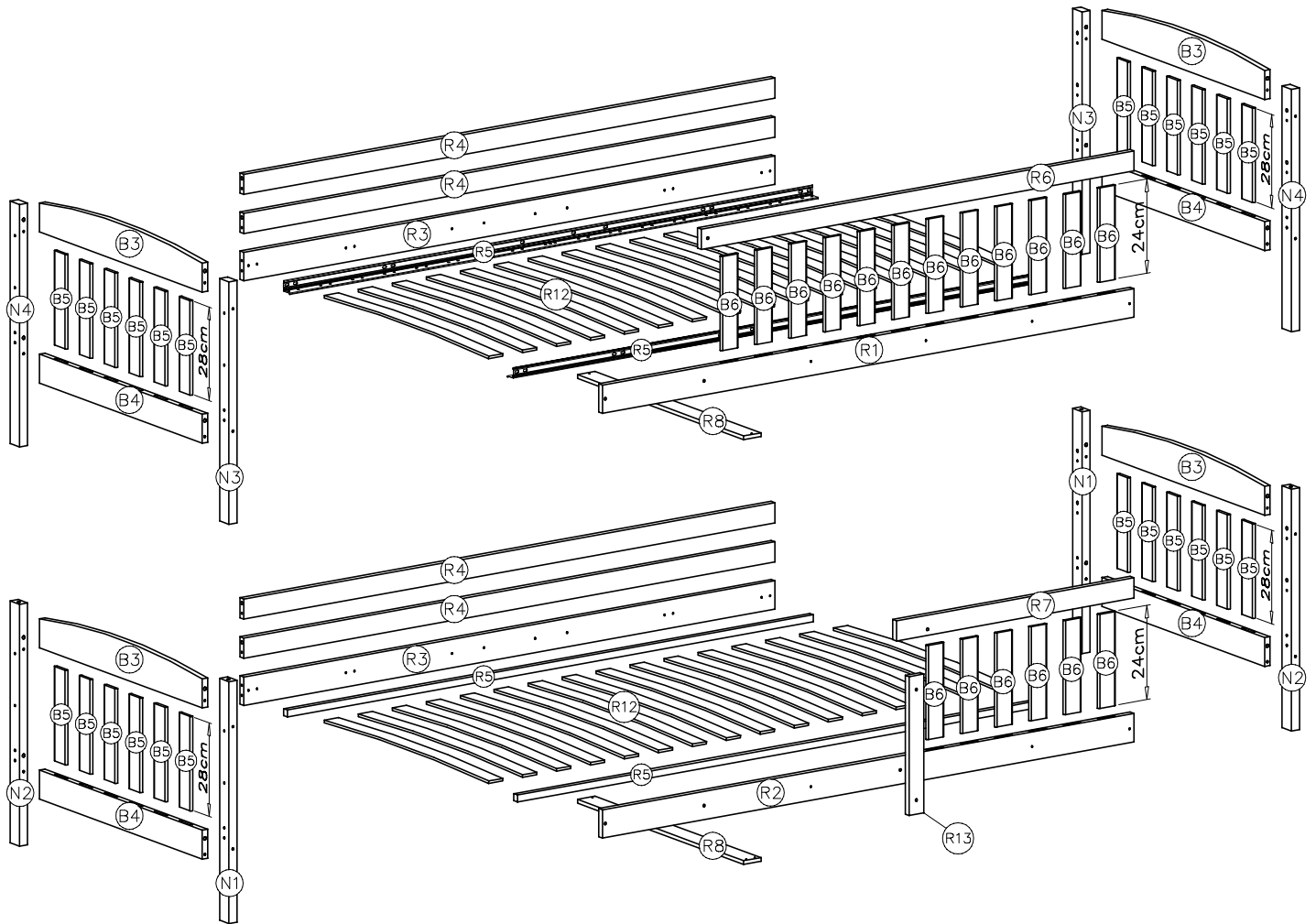
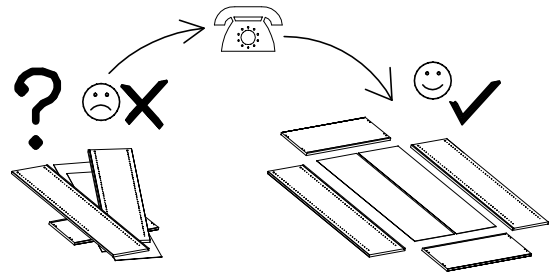
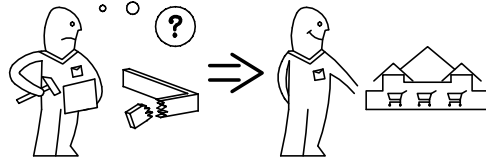
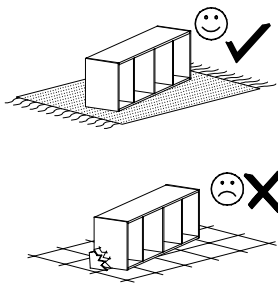
nr	Menge Ilość Quantity	Coli Paczka nr Pack
R1	1	2
R2	1	2
R3	2	2
R4	4	2
R5	4	2
R6	1	2
R7	1	1
R8	2	1
R9	3	1
R10	1	1
R11	1	1
R12	34	1
R13	1	1

nr	Menge Ilość Quantity	Coli Paczka nr Pack
N1	2	1
N2	2	1
N3	2	1
N4	2	1
B3	4	1
B4	4	1
B5	24	1
B5	28	1
B6	19	1
B6	20	1

800mm  
900mm  
1900mm  
2000mm

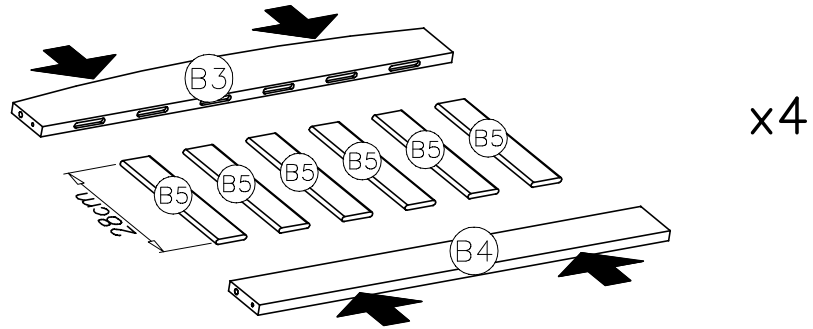


<b>N</b>  x2	<b>Z</b>  M6x20 x8	<b>J</b>  x4		
<b>D</b>  9x20 x7	<b>L</b>  ø10 x6	<b>K</b>  ø8 x12	<b>G</b>  x1	<b>M</b>  x68
<b>A</b>  6x80 x16	<b>B</b>  6x70 x26	<b>C</b>  6x50 x17	<b>H</b>  ø10x50 x26	<b>E</b>  6x13 x28

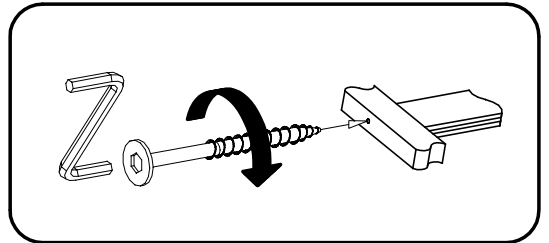
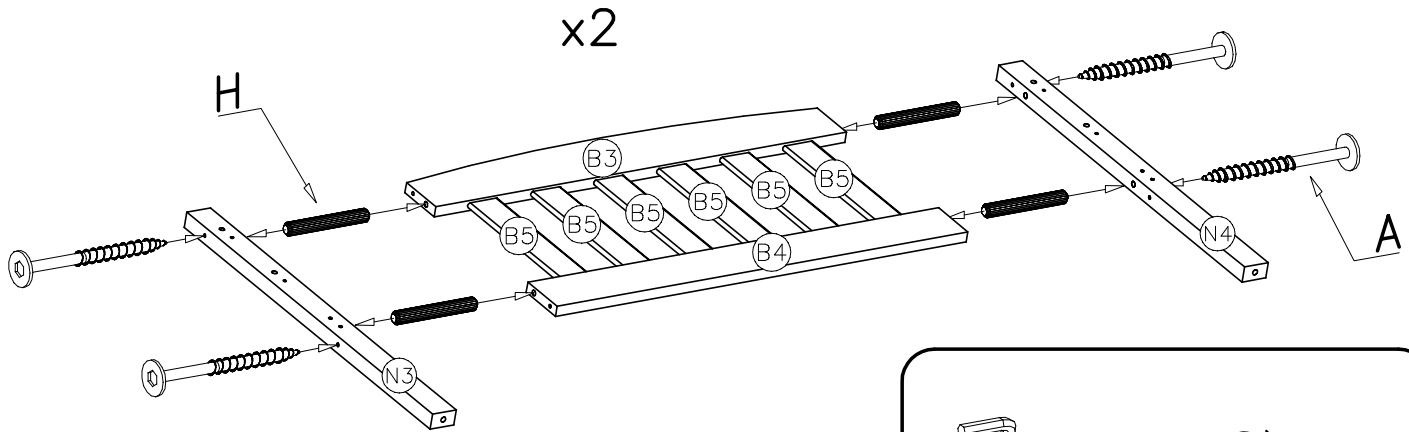
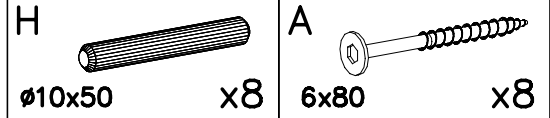




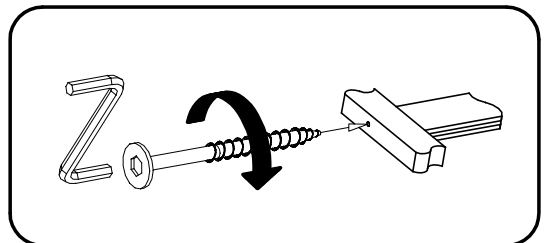
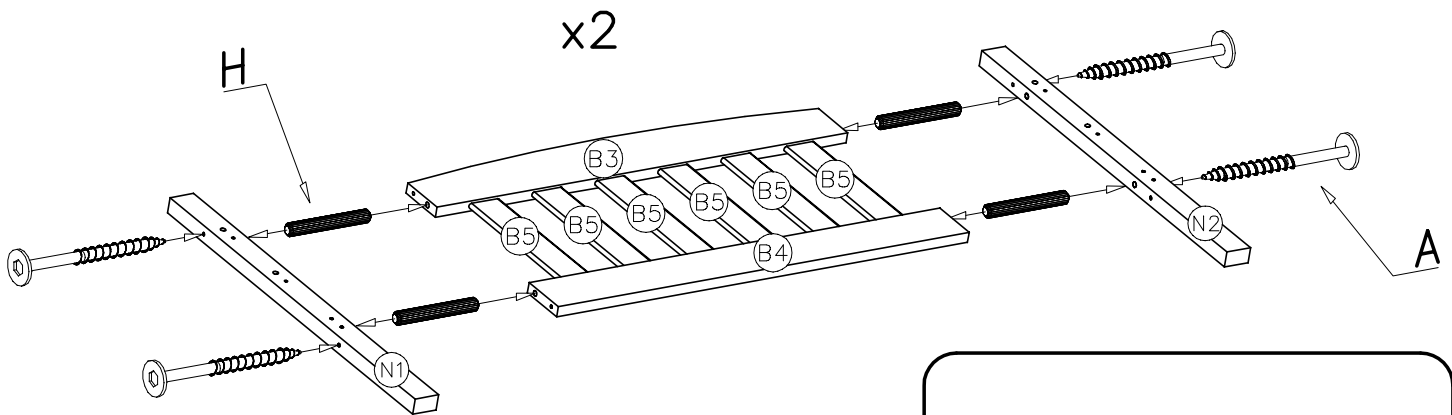
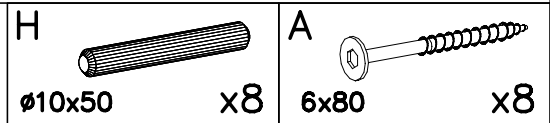
I

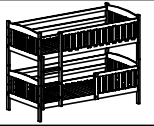


II

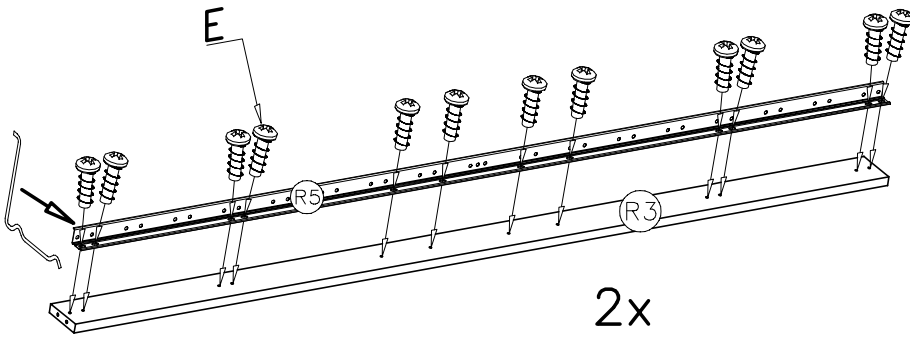


III



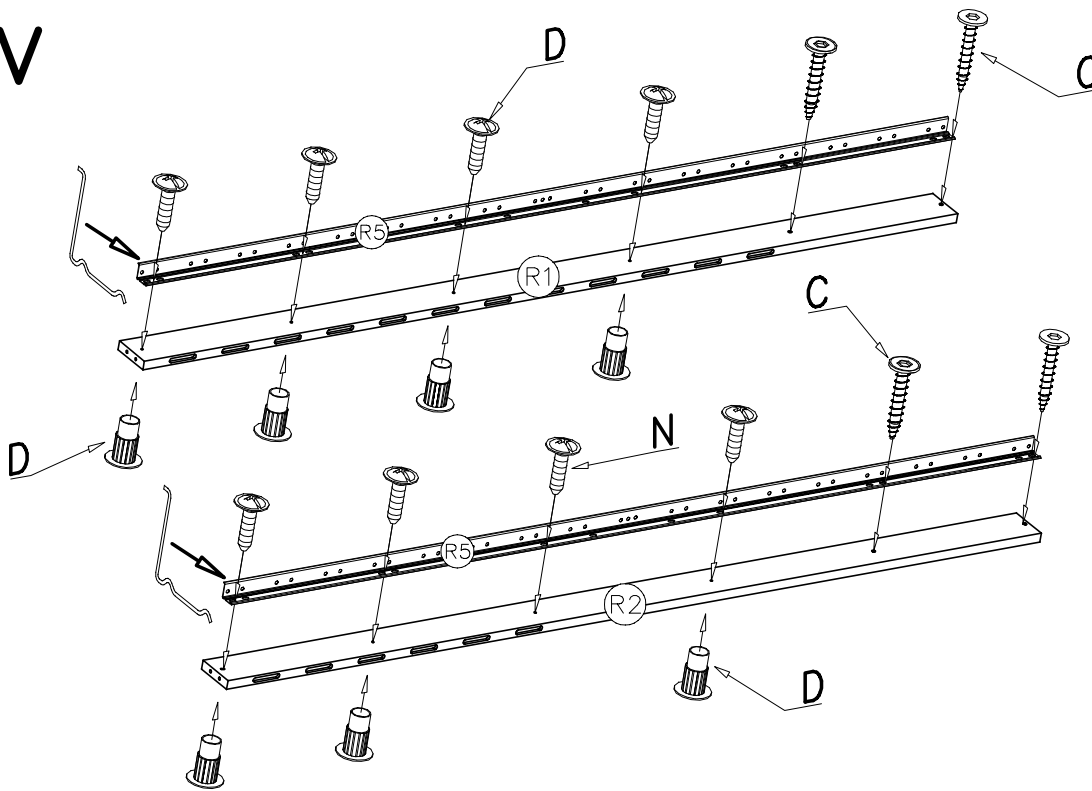


IV

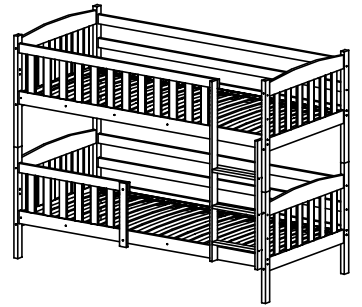


<b>E</b>	
6x13	x24

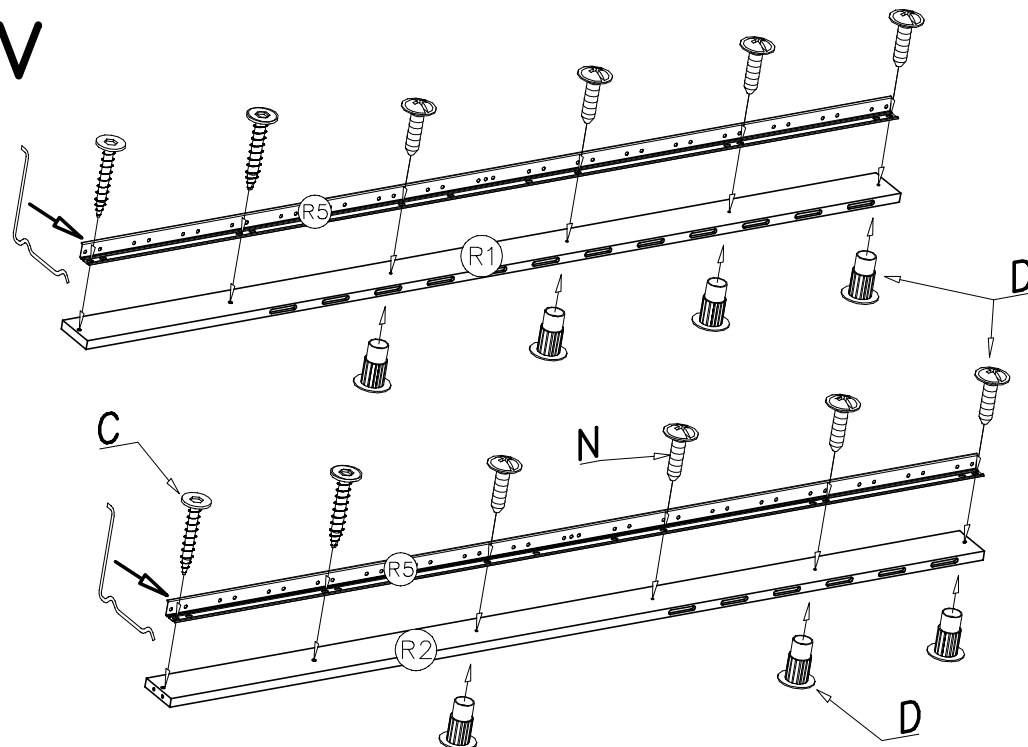
V



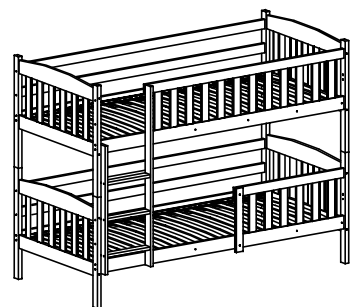
<b>C</b>	
6x50	x4
<b>D</b>	
9x20	x7
<b>N</b>	
	x1



V



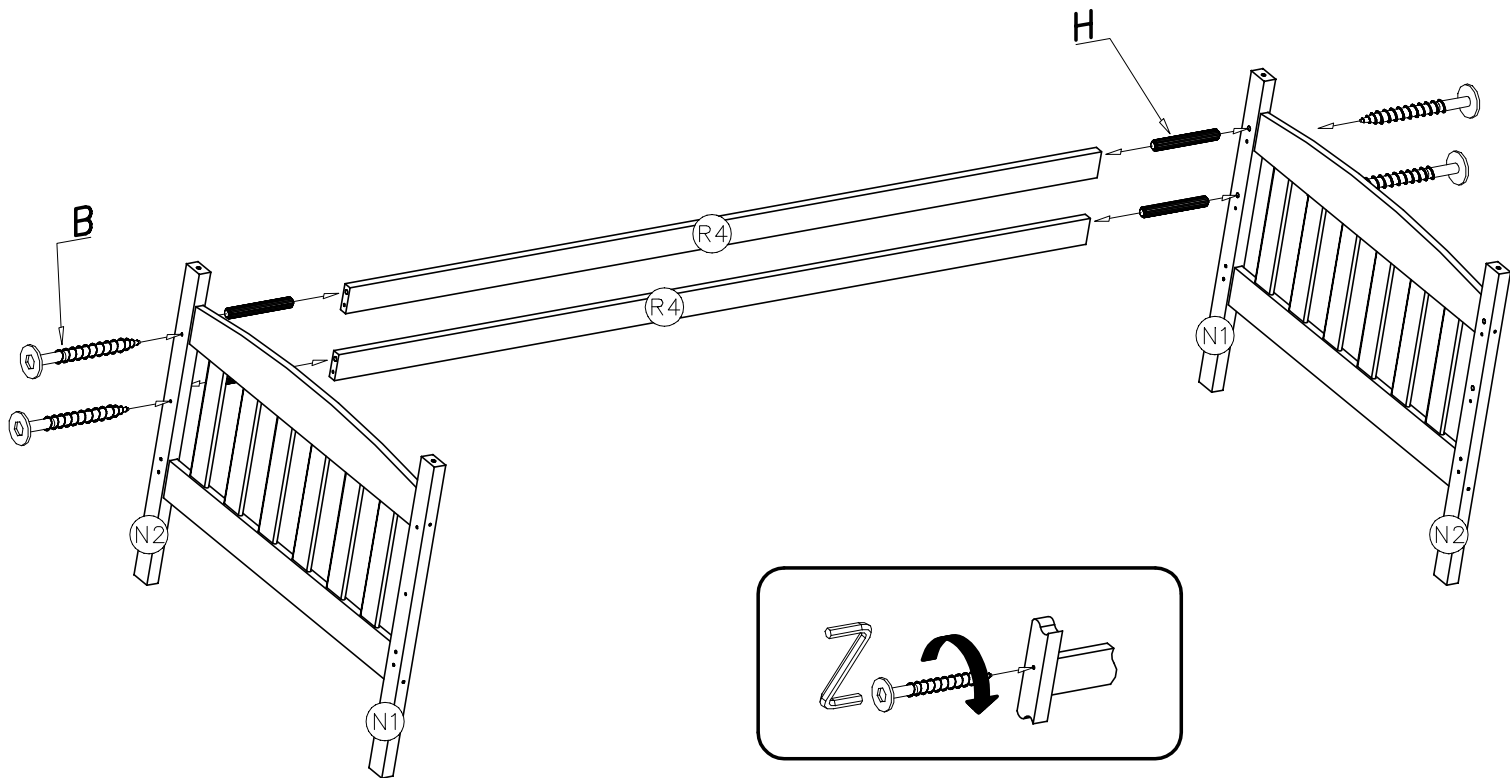
<b>C</b>	
6x50	x4
<b>D</b>	
9x20	x7
<b>N</b>	
	x1



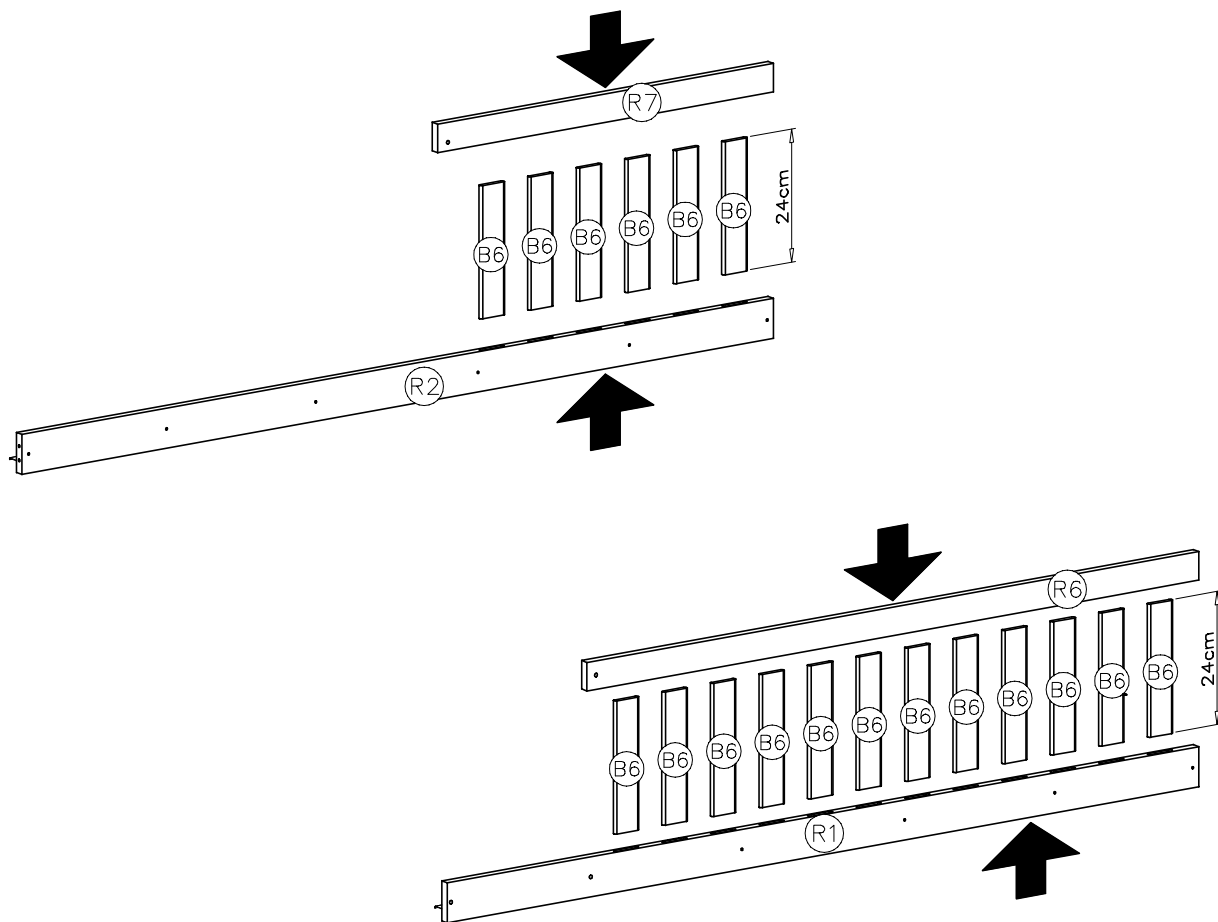


# VI

H		B	
∅10x50	x4	6x70	x4

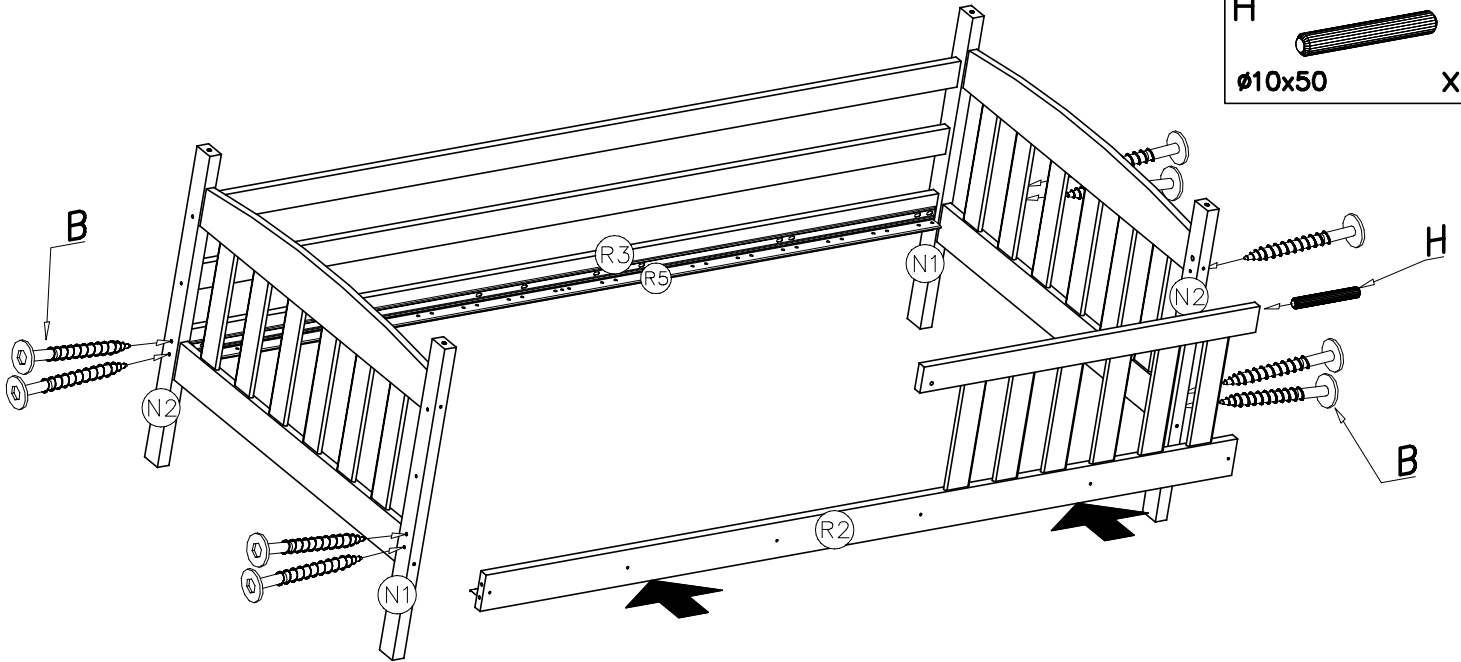


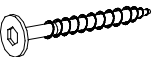

# VII

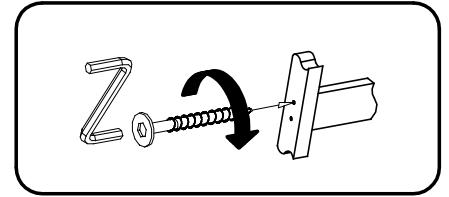




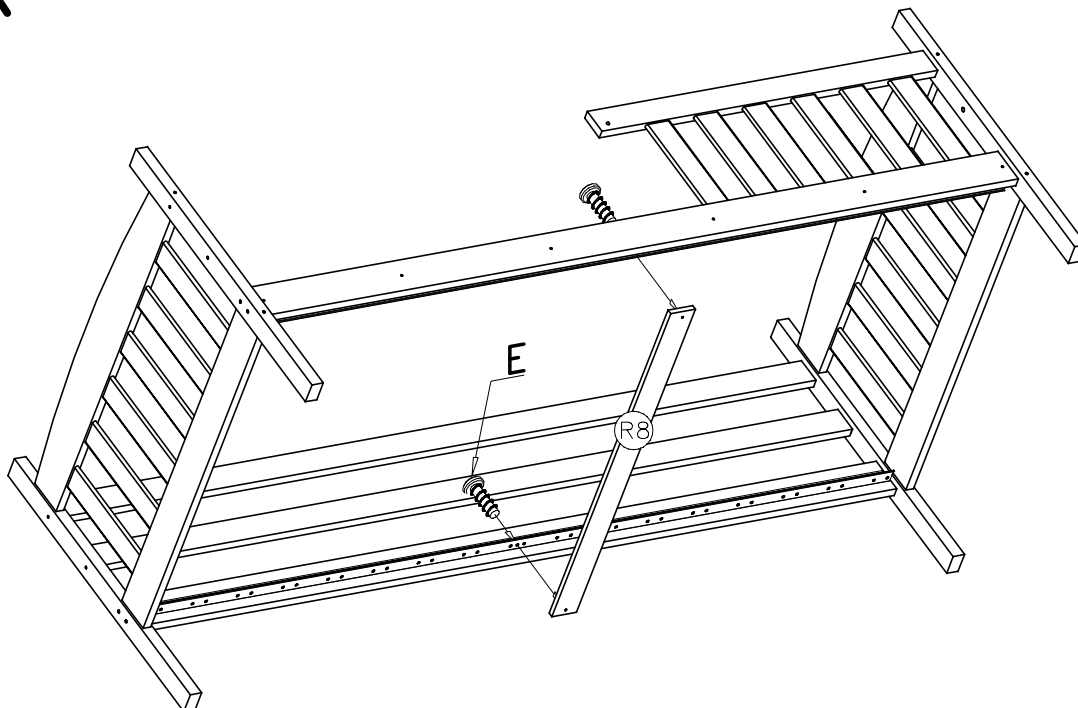
## VIII




B		
	6x70	x9
H		
	∅10x50	x1



## IX

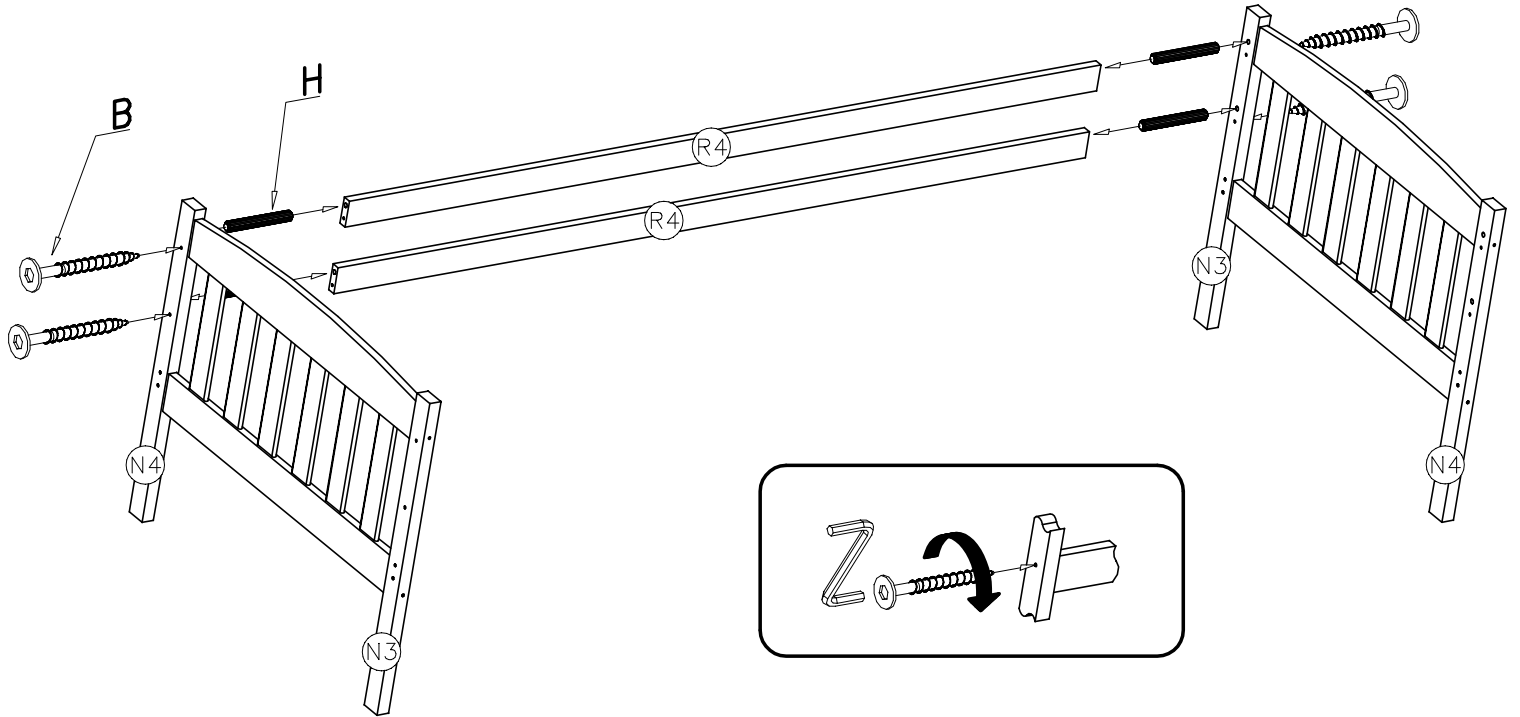


E		
	6x13	x2



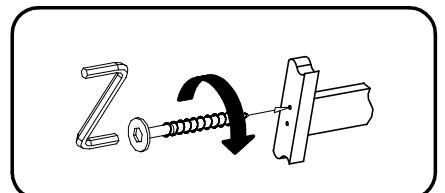
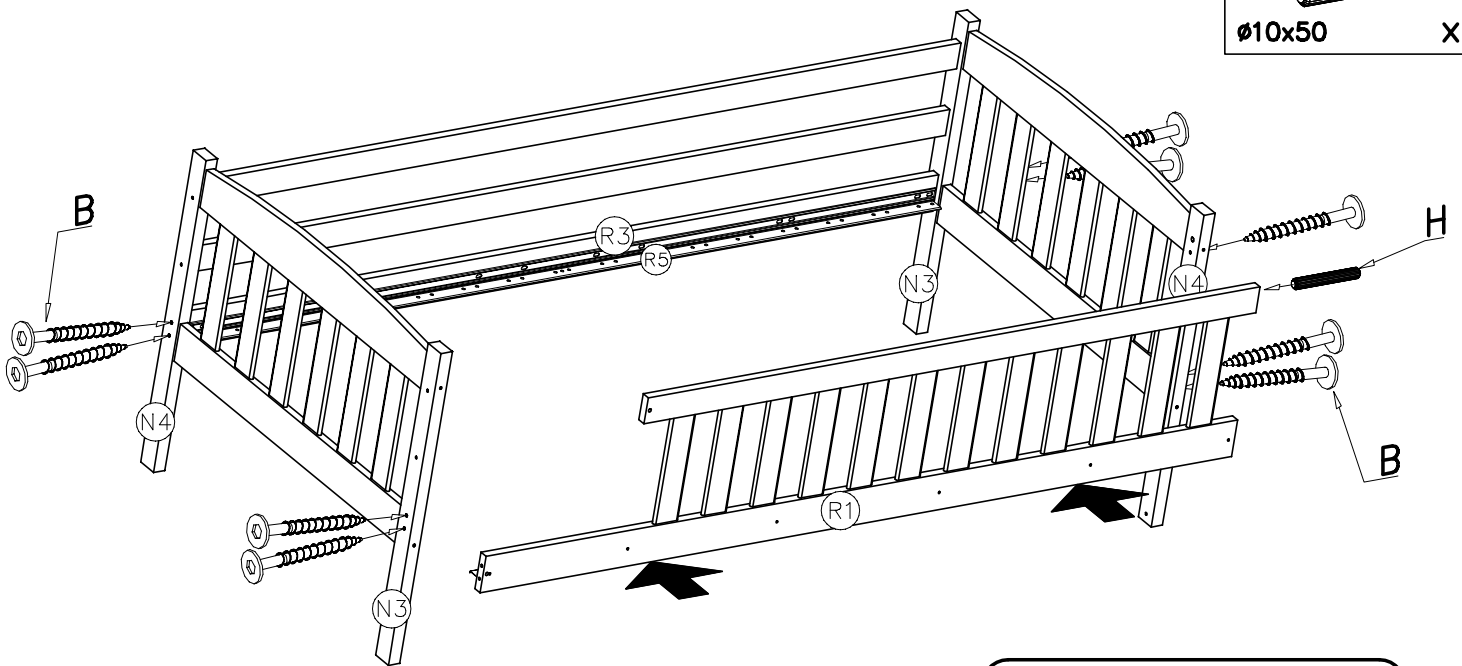
X

- |        |    |      |    |
|--------|----|------|----|
| H      |    | B    |    |
| ∅10x50 | x4 | 6x70 | x4 |



XI

- |        |    |
|--------|----|
| B      |    |
| 6x70   | x9 |
| H      |    |
| ∅10x50 | x1 |

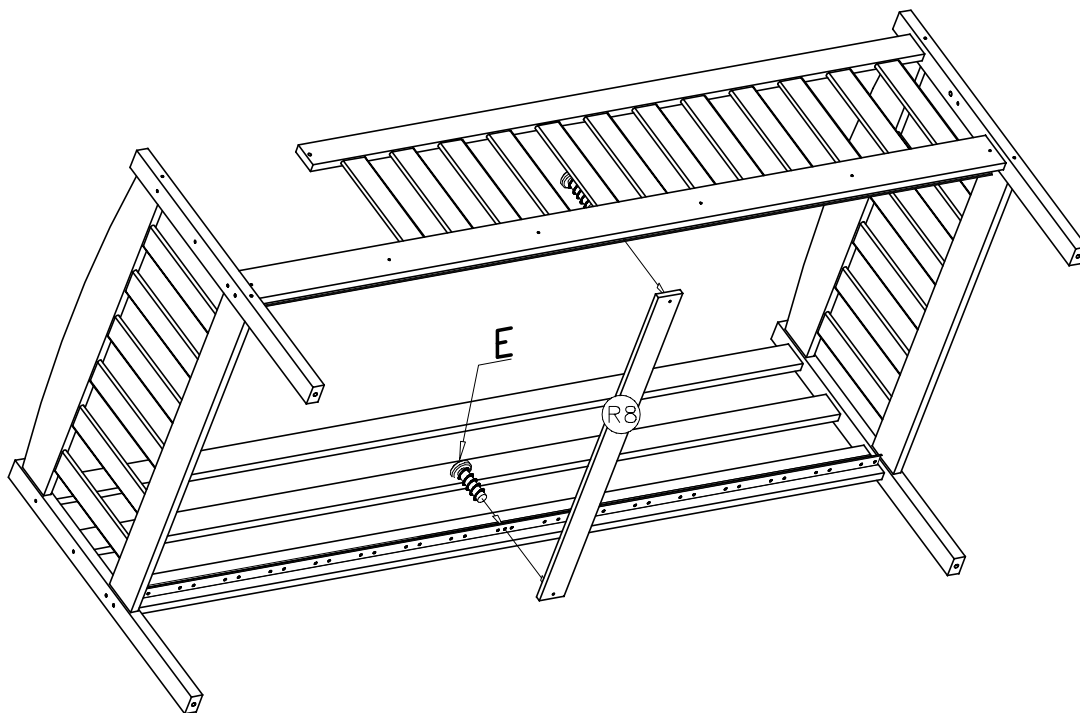






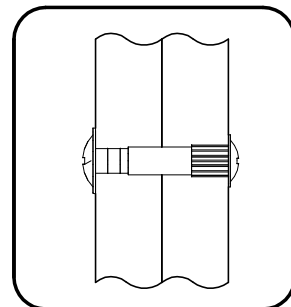
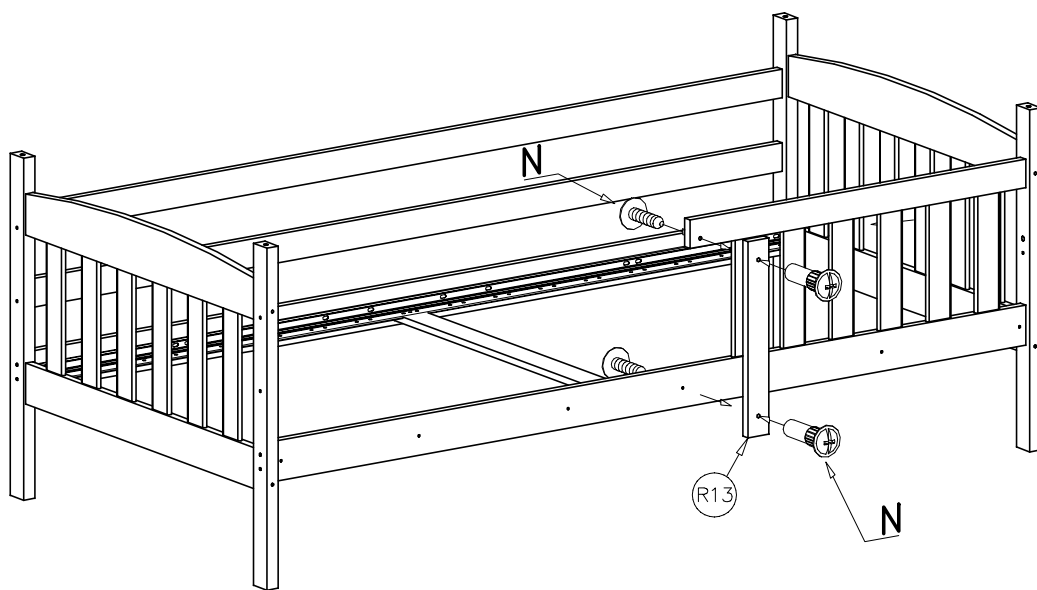
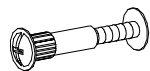
# XII

E  
6x13 x2



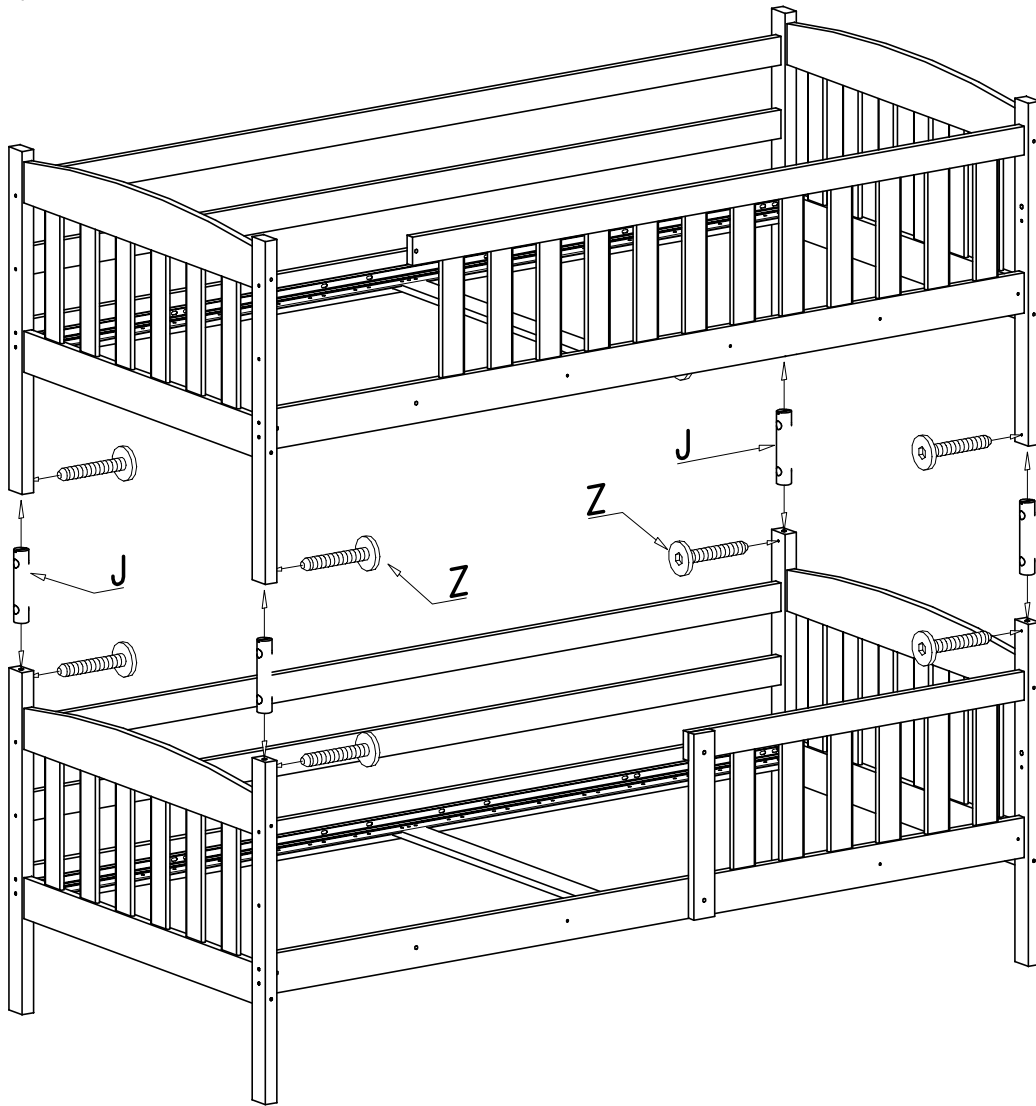
# XIII

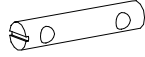
N  
x2

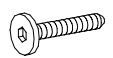


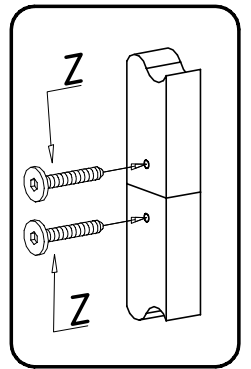


# XIV

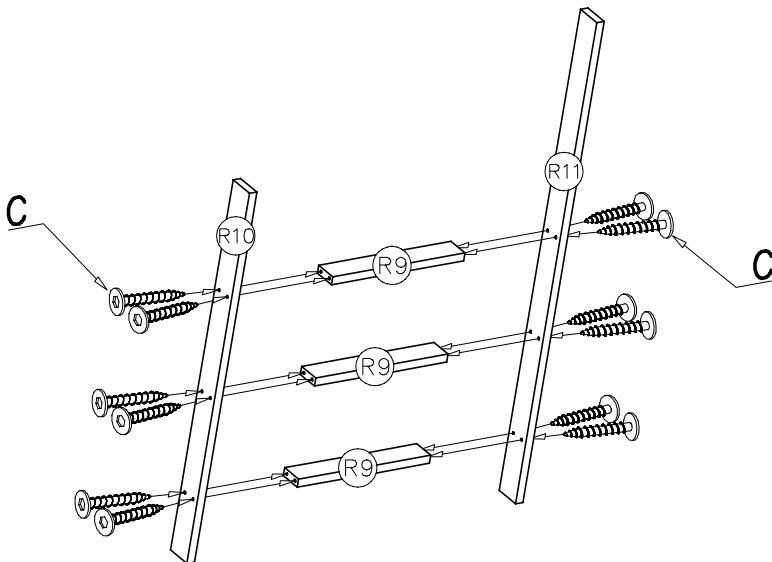



J  x4

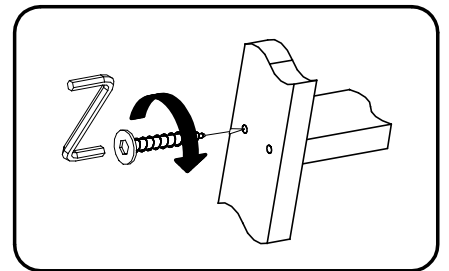
Z  M6x20 x8



# XV



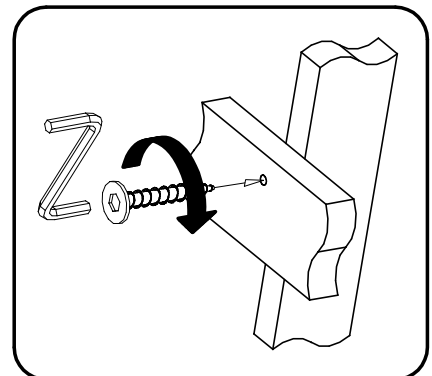
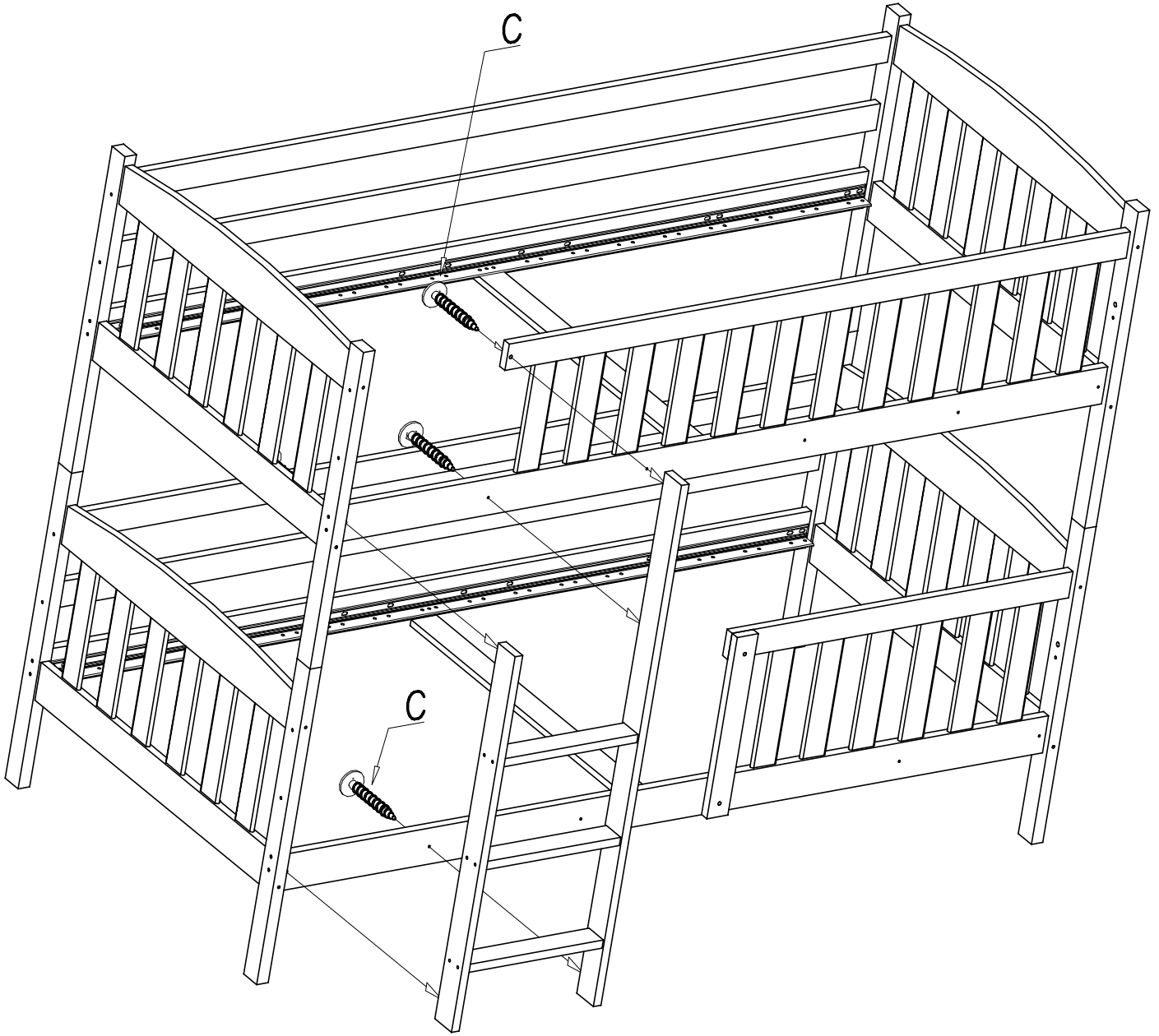
C  6x50 x12








# XVI

C  
6x50 x5





# XVII

K		x12
L		x6
M		x68

