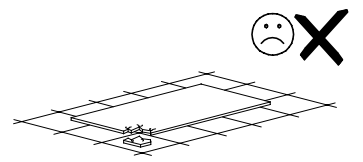
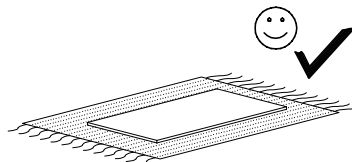
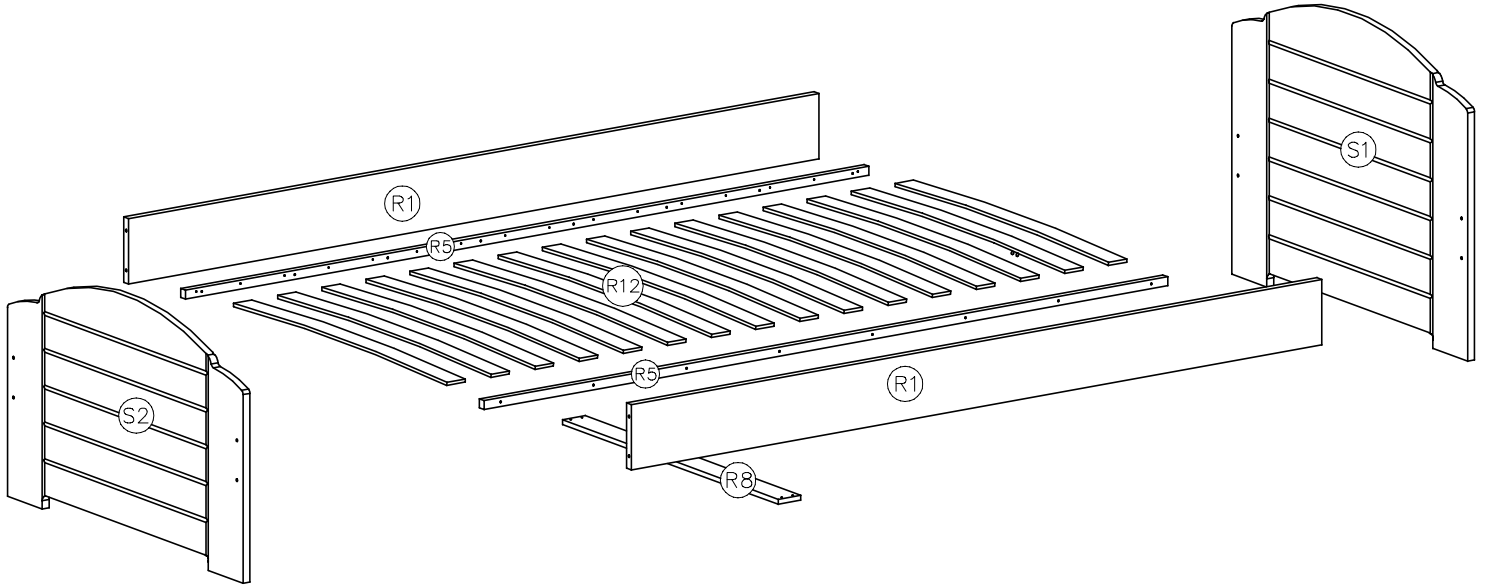
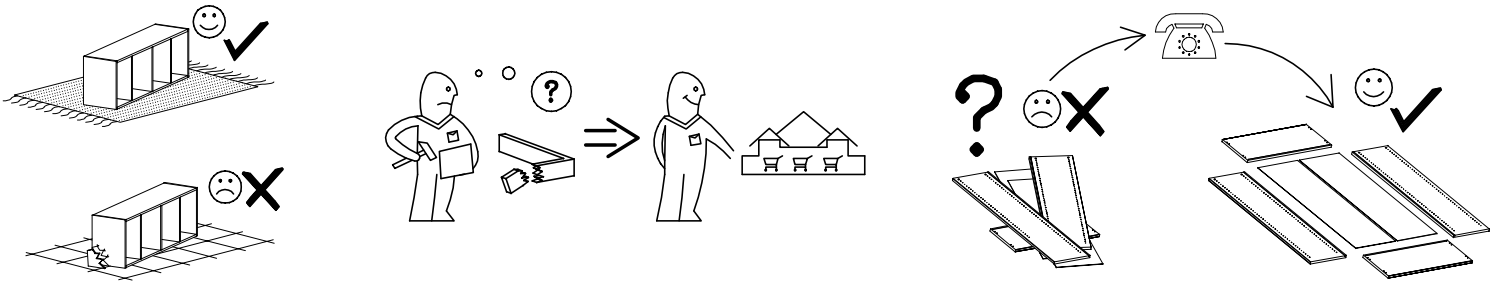
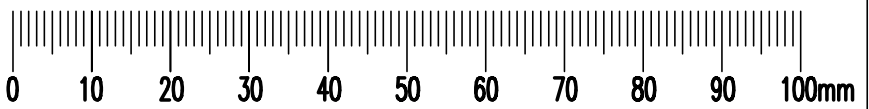
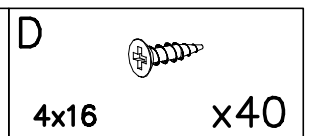
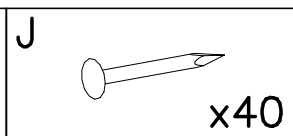
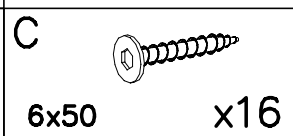
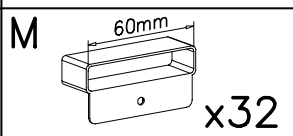
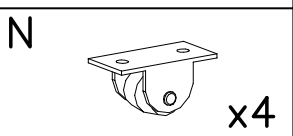
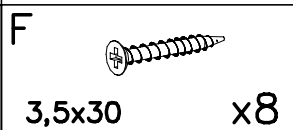
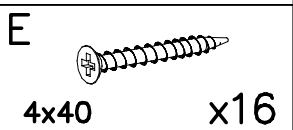
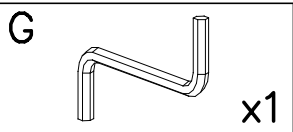
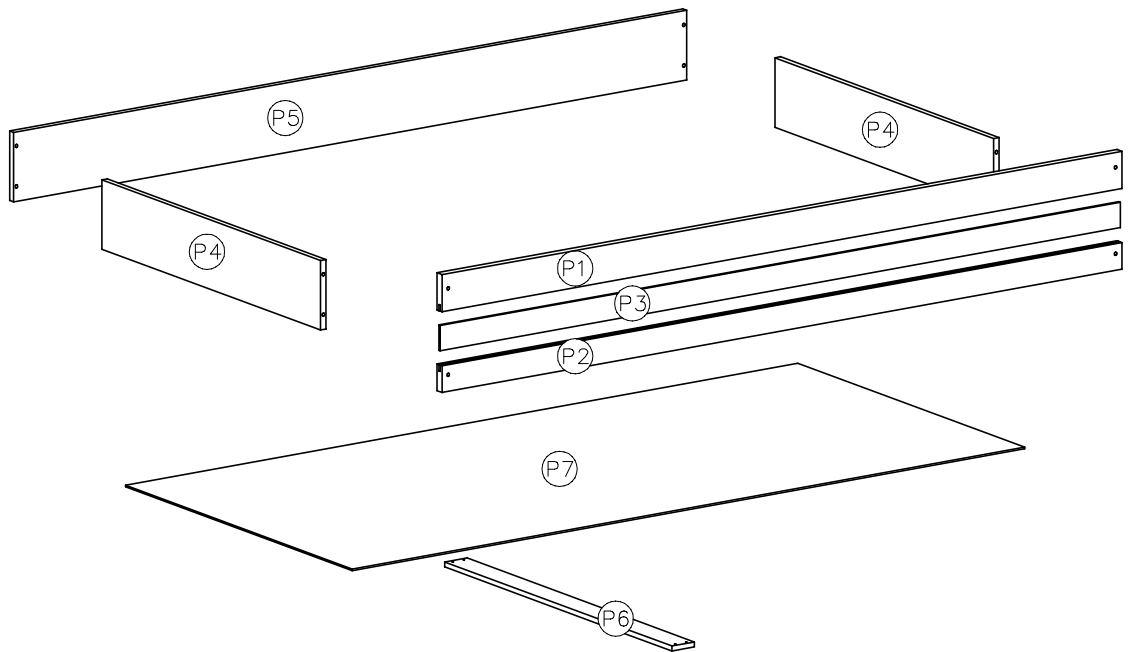


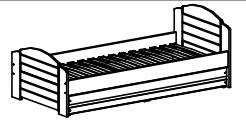
1,5h



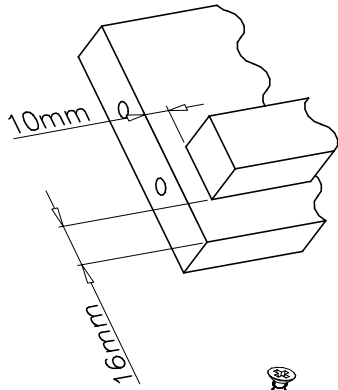


nr	Menge Ilość Quantity	Coli Paczka nr Pack
R1	2	1
R5	2	1
R8	1	1
R12	16	2
S1	1	2
S2	1	2
P1	1	1
P2	1	1
P3	1	1
P4	2	1
P5	1	1
P6	1	1
P7	1	1

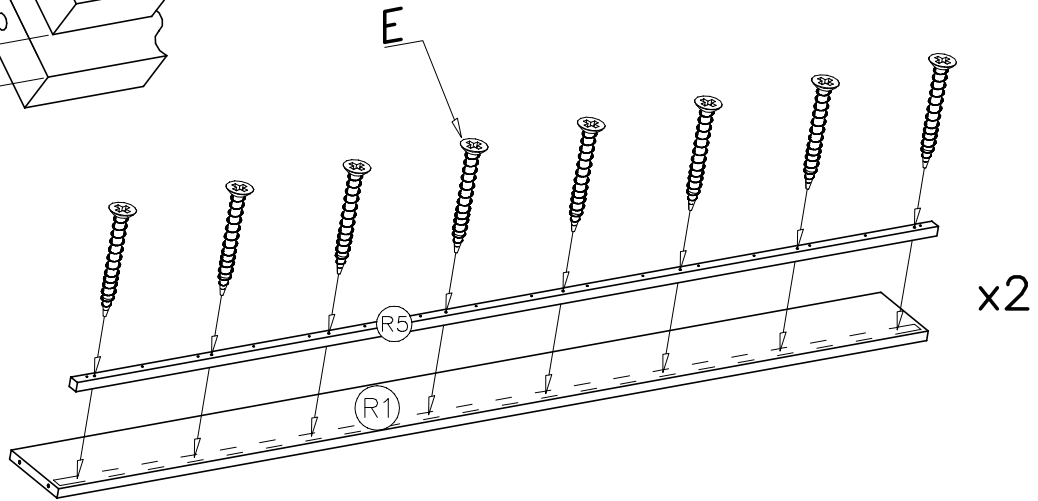




I

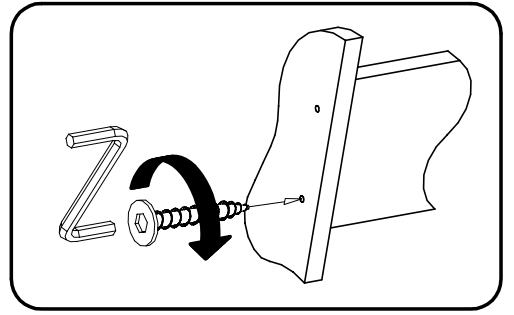
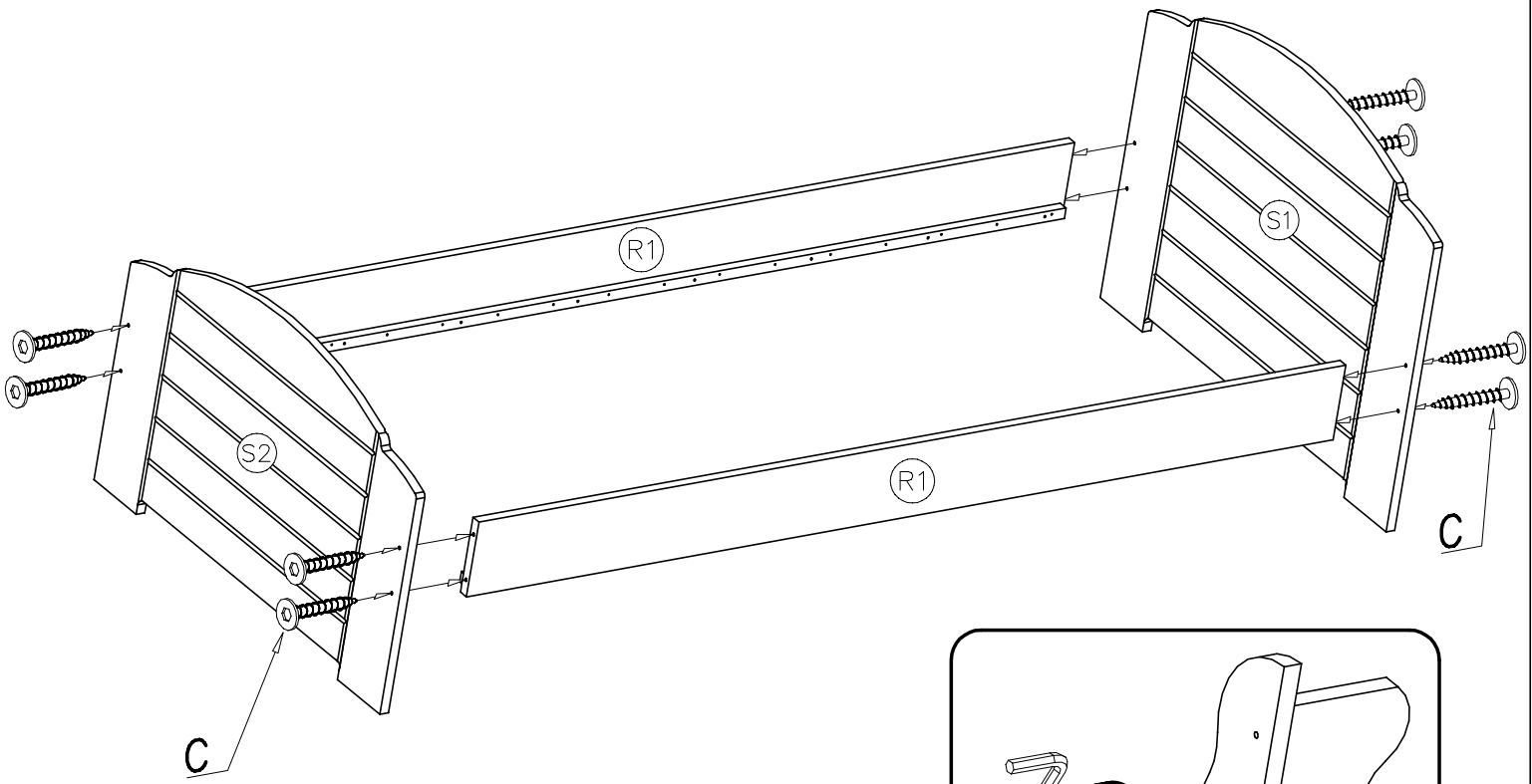


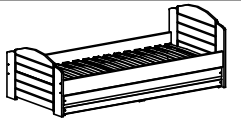
E  
4x40 x16



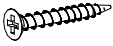
II

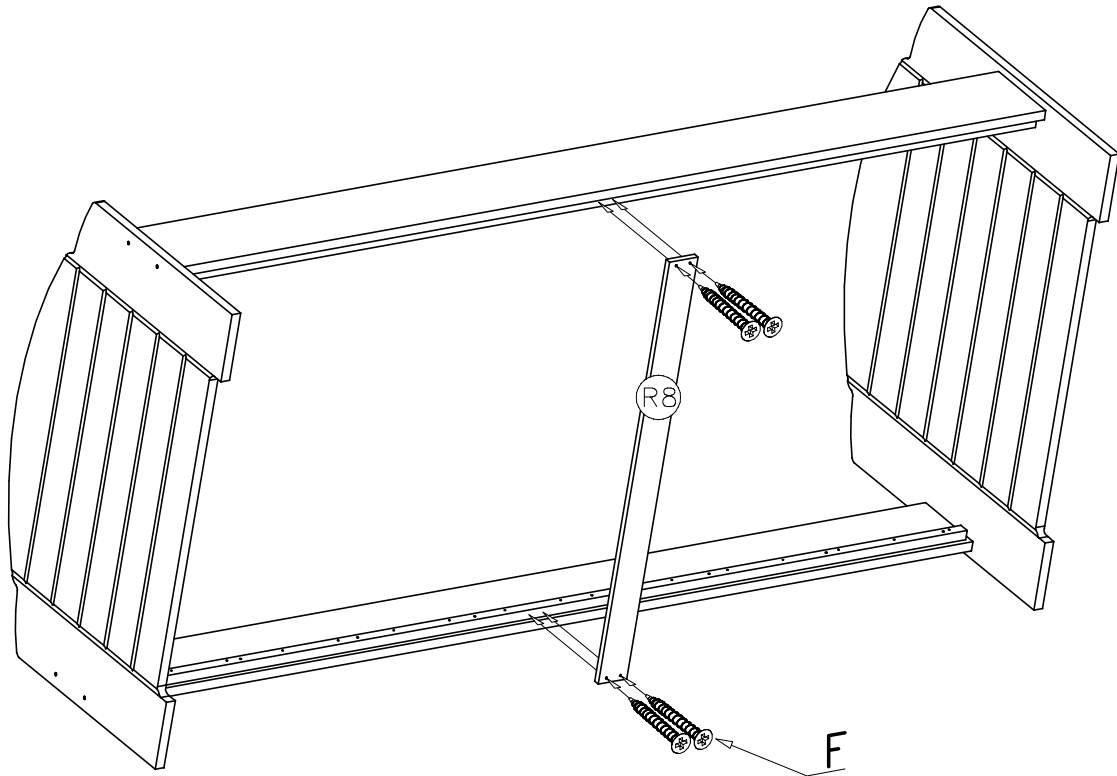
C  
6x50 x8




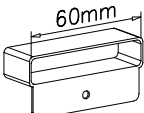


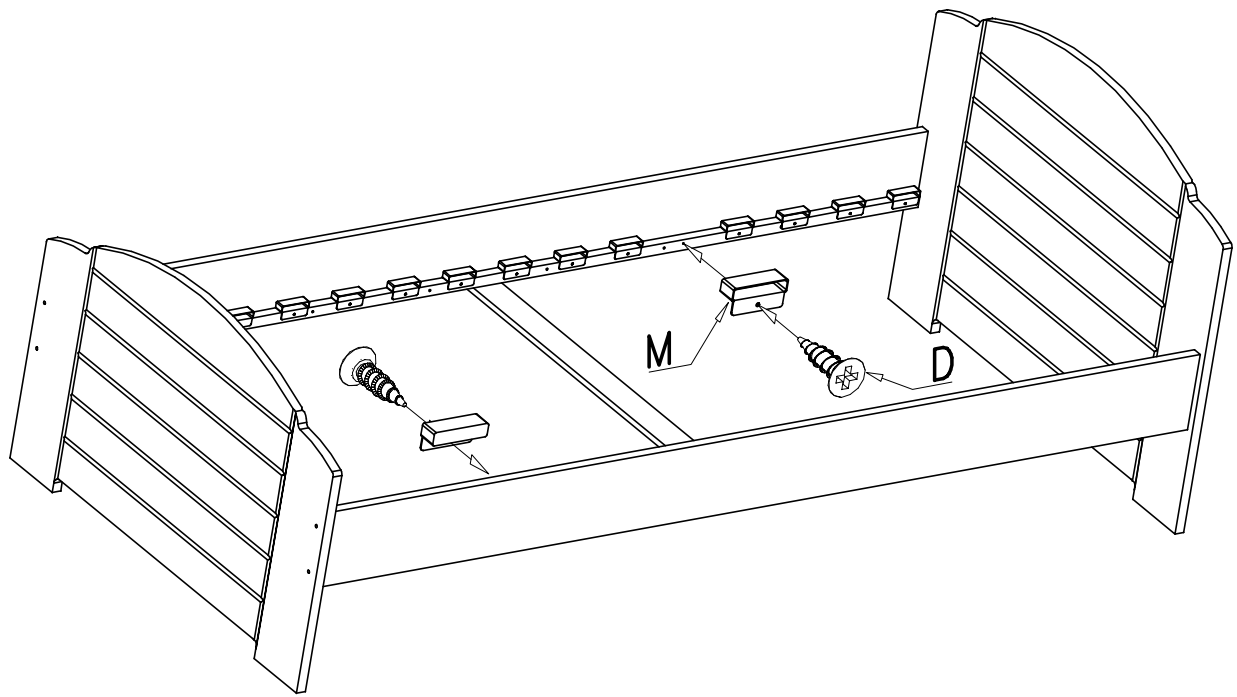
III

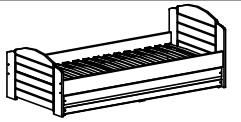
F   
3,5x30 x4



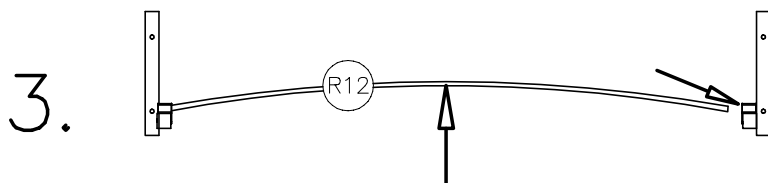
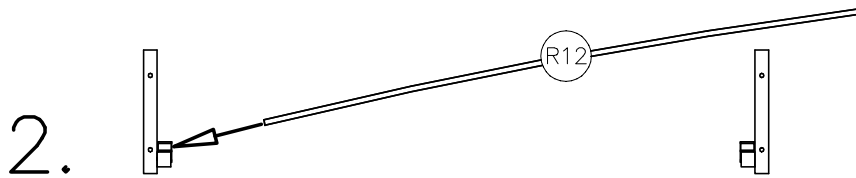
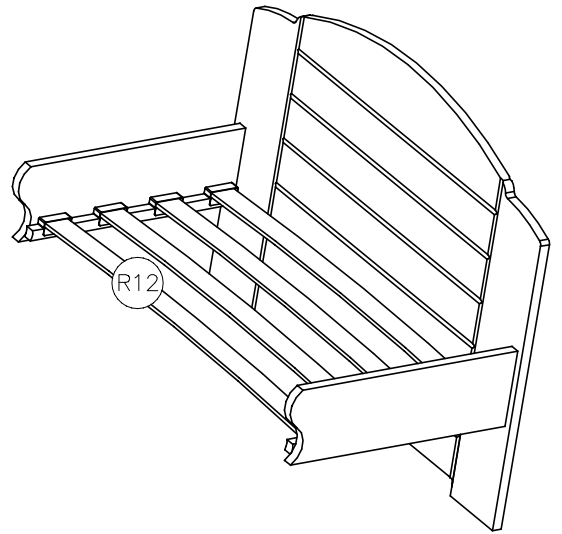
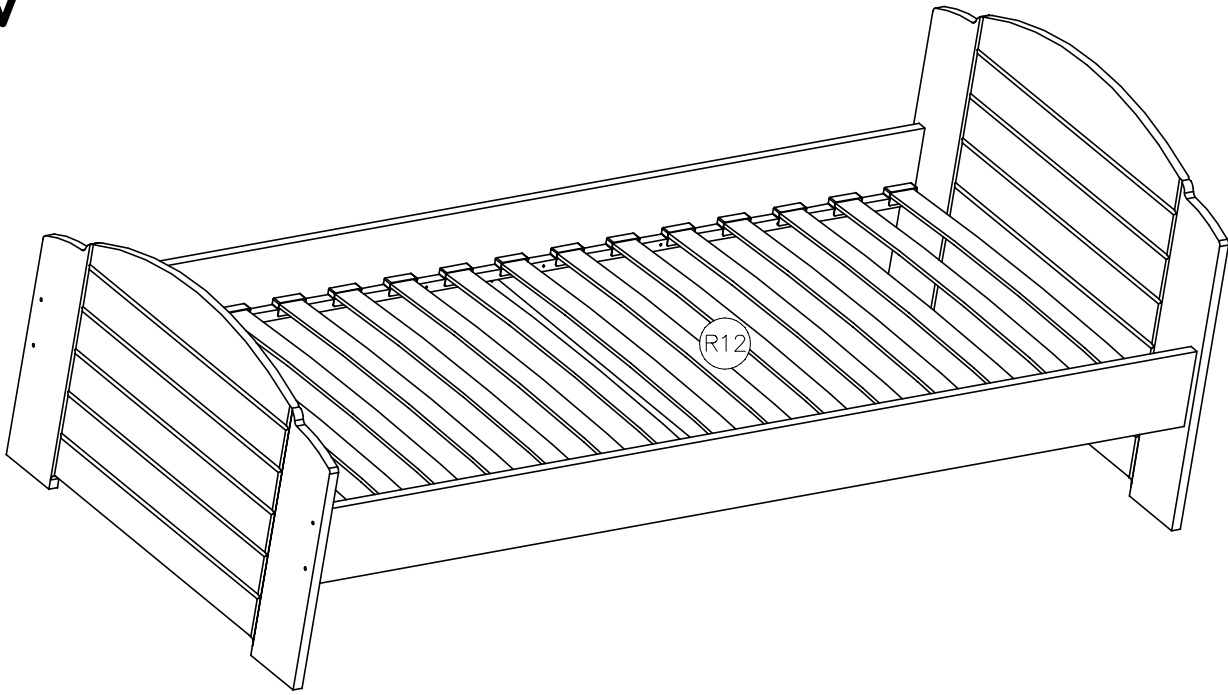
IV

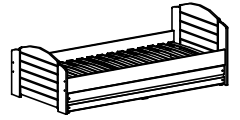
D  4x16 x32  
M  60mm x32



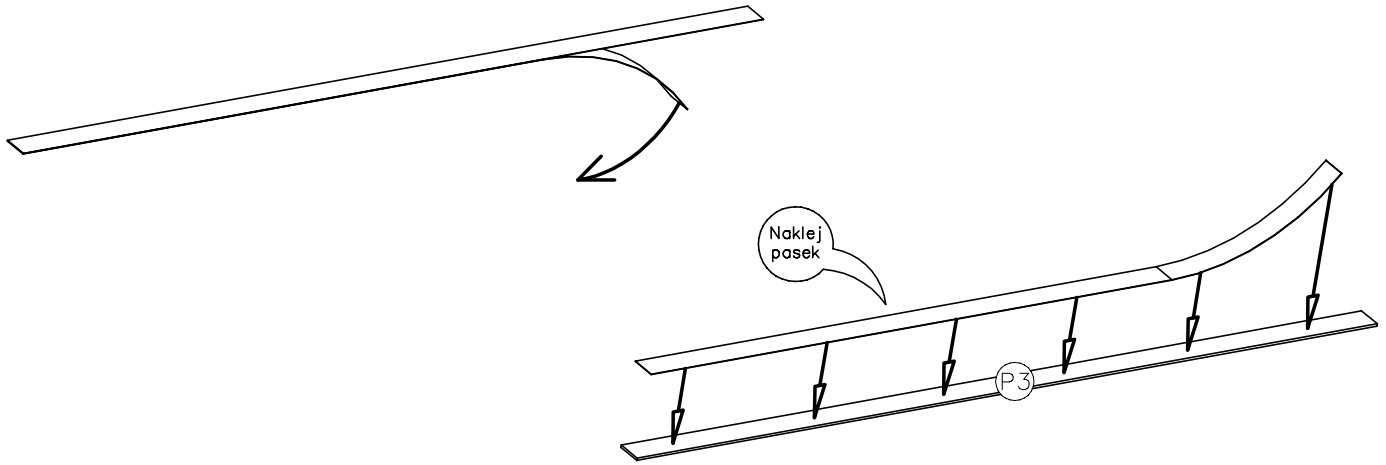


V

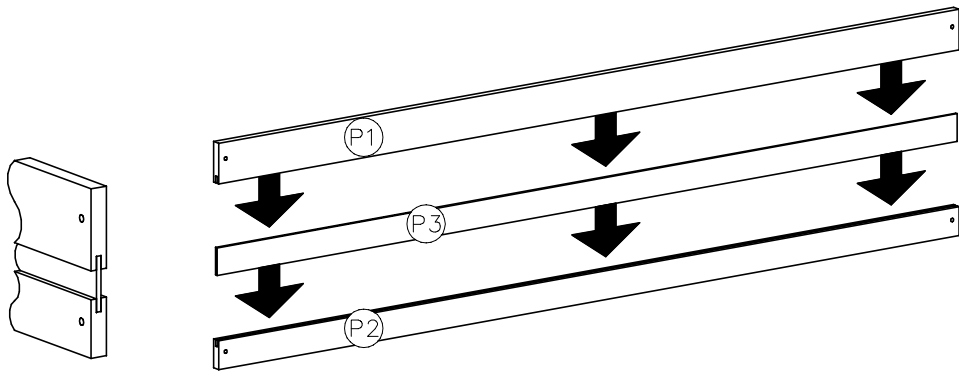




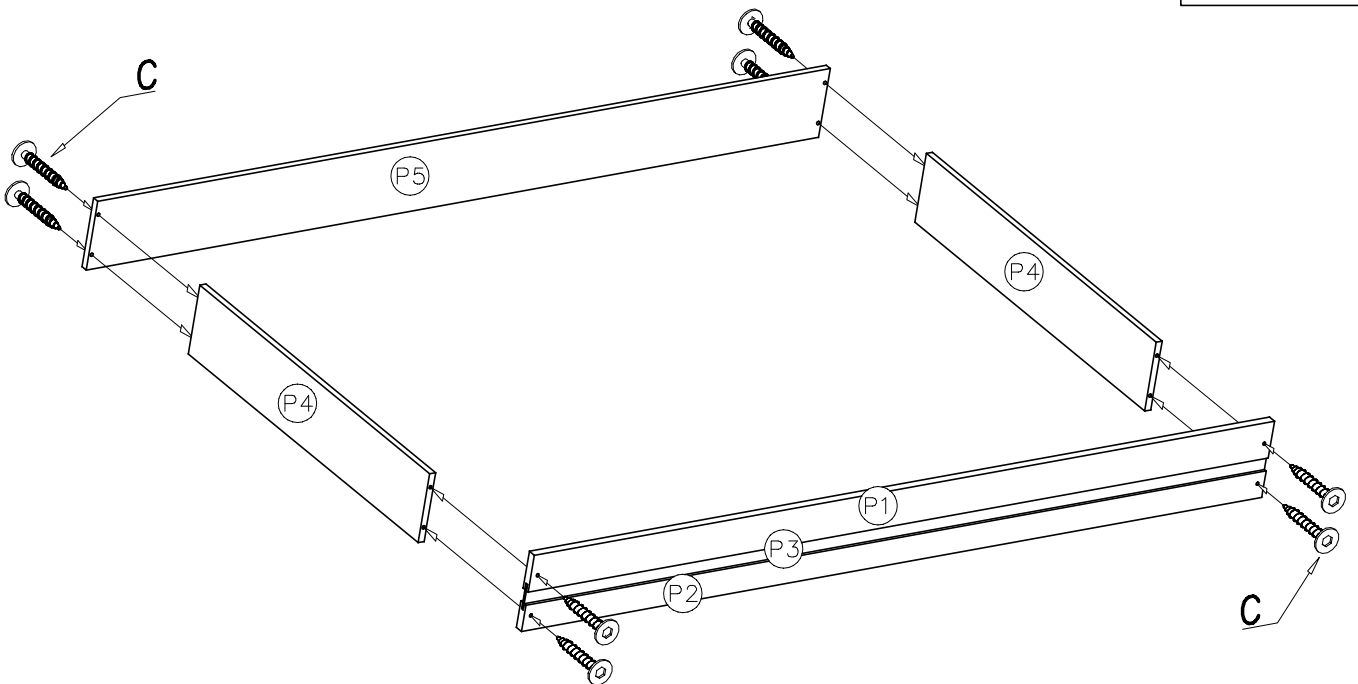
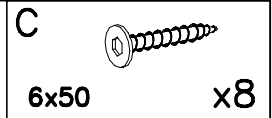
# VI

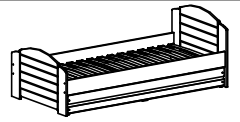


# VII

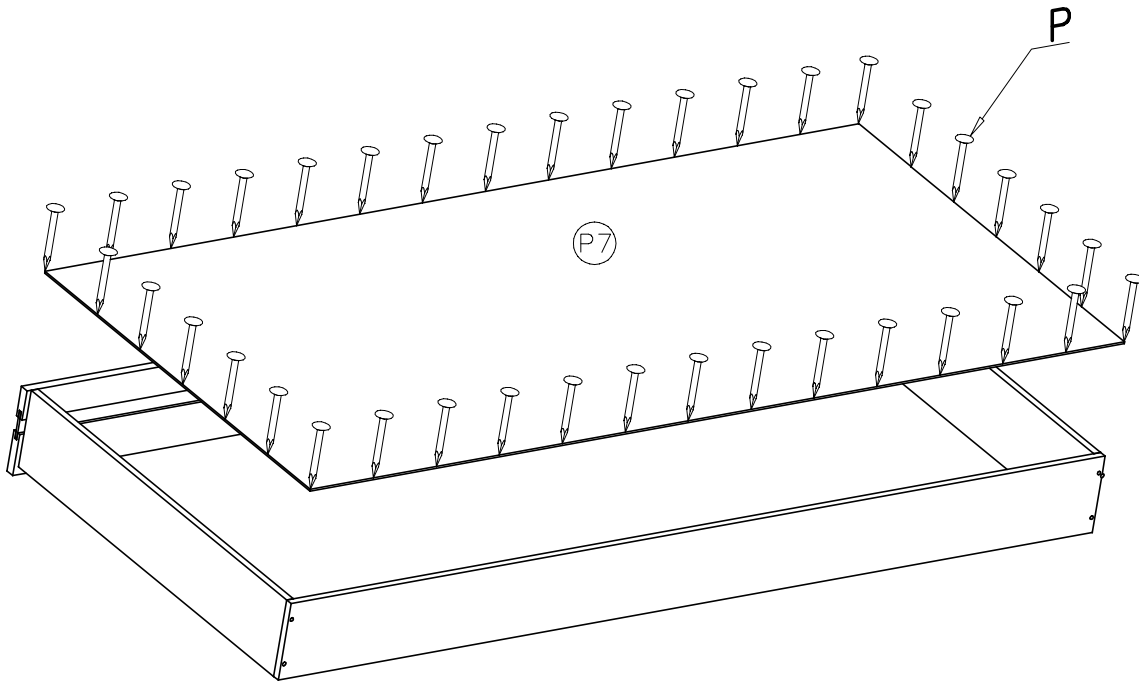
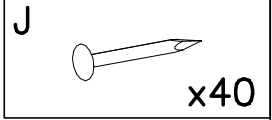


# VIII

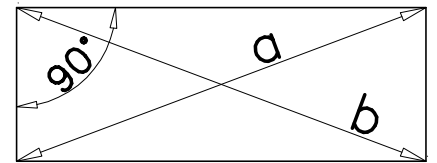




IX



$a=b$



X

