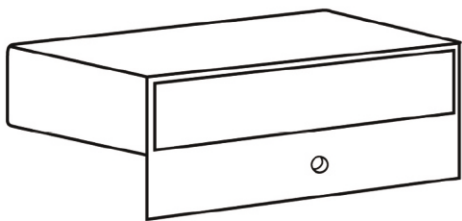


1:1



M
32X



I
3X



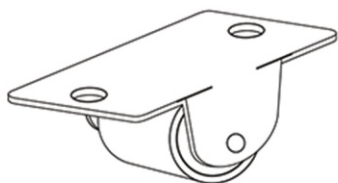
J
40x



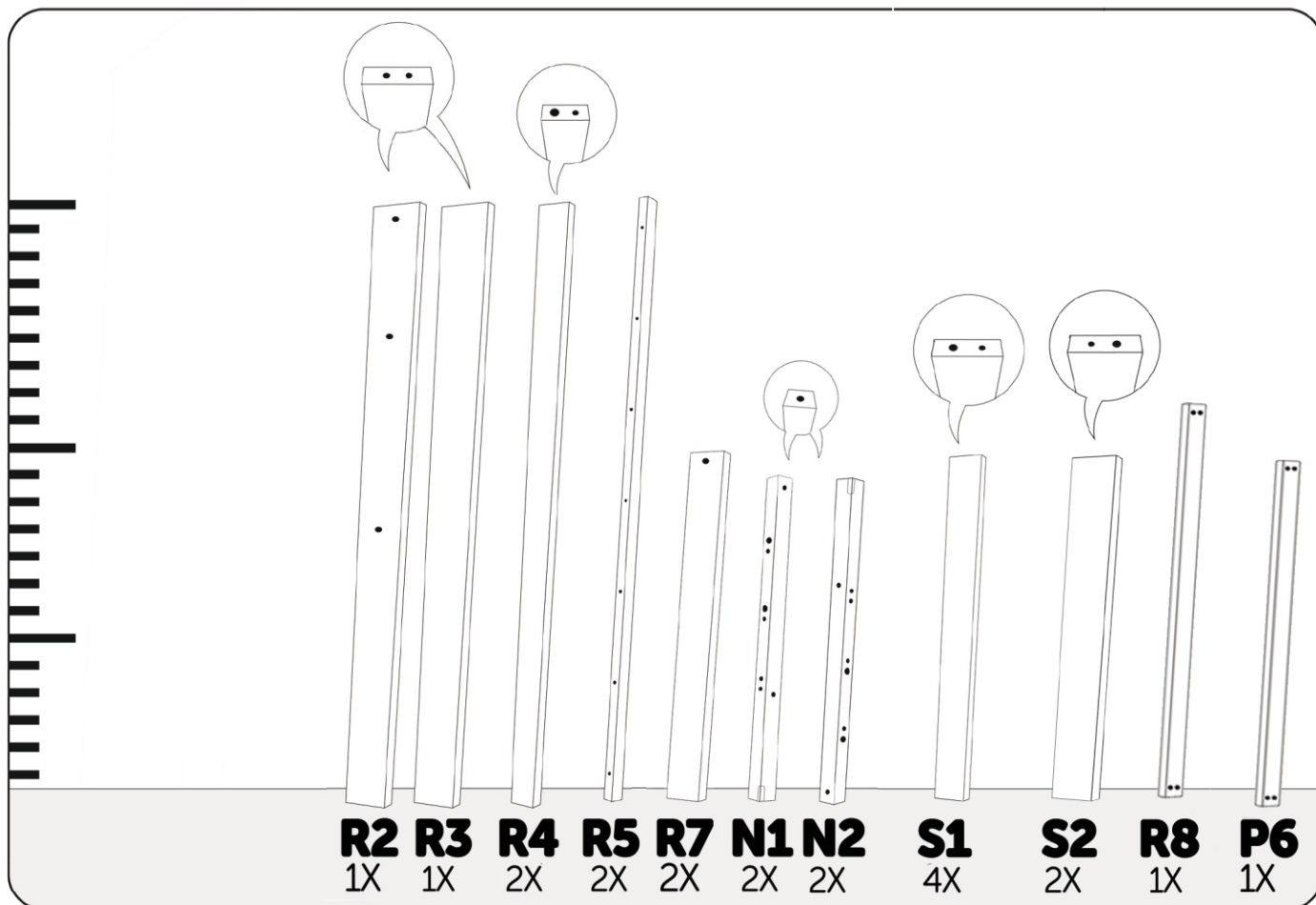
K
4X

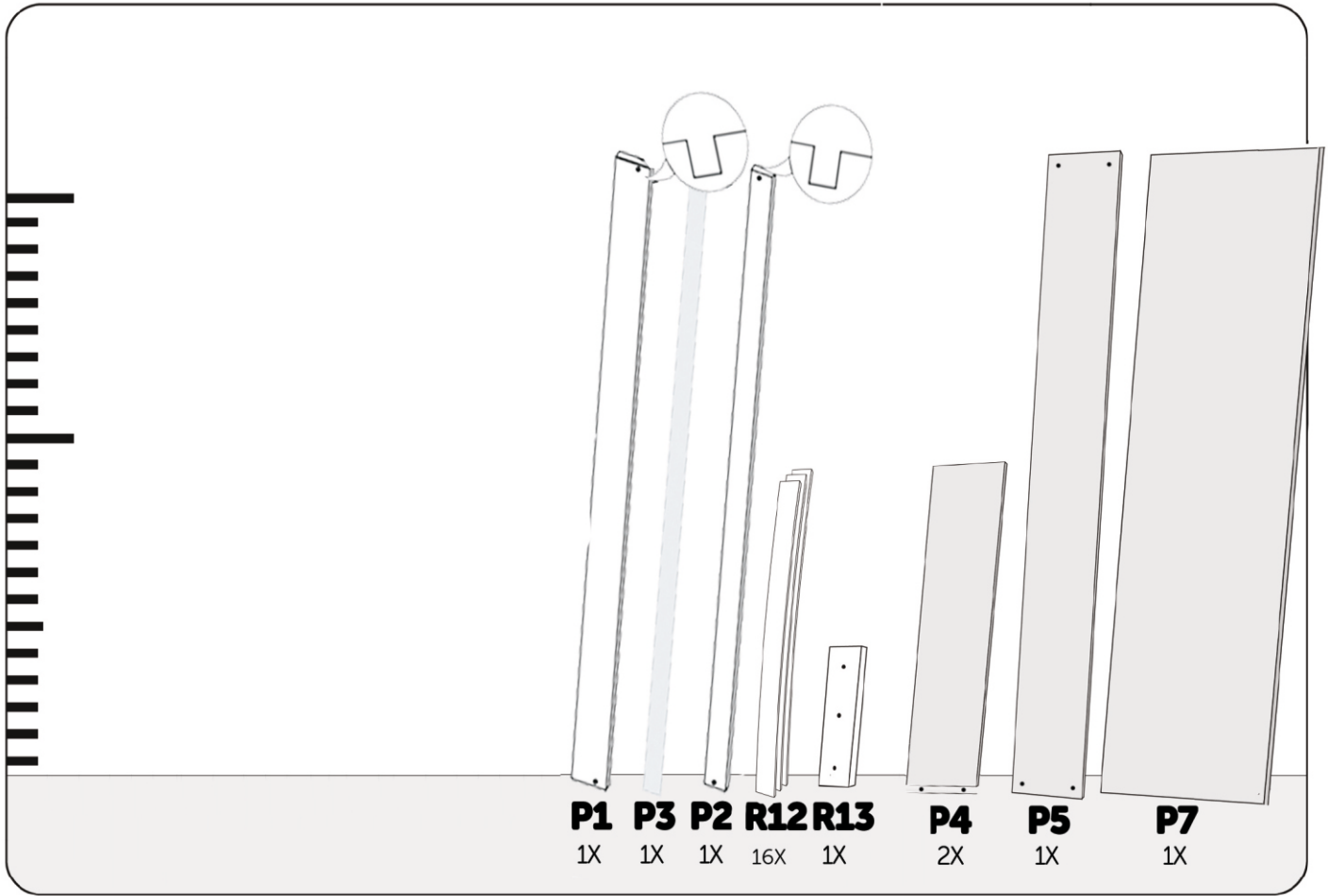


L
2X

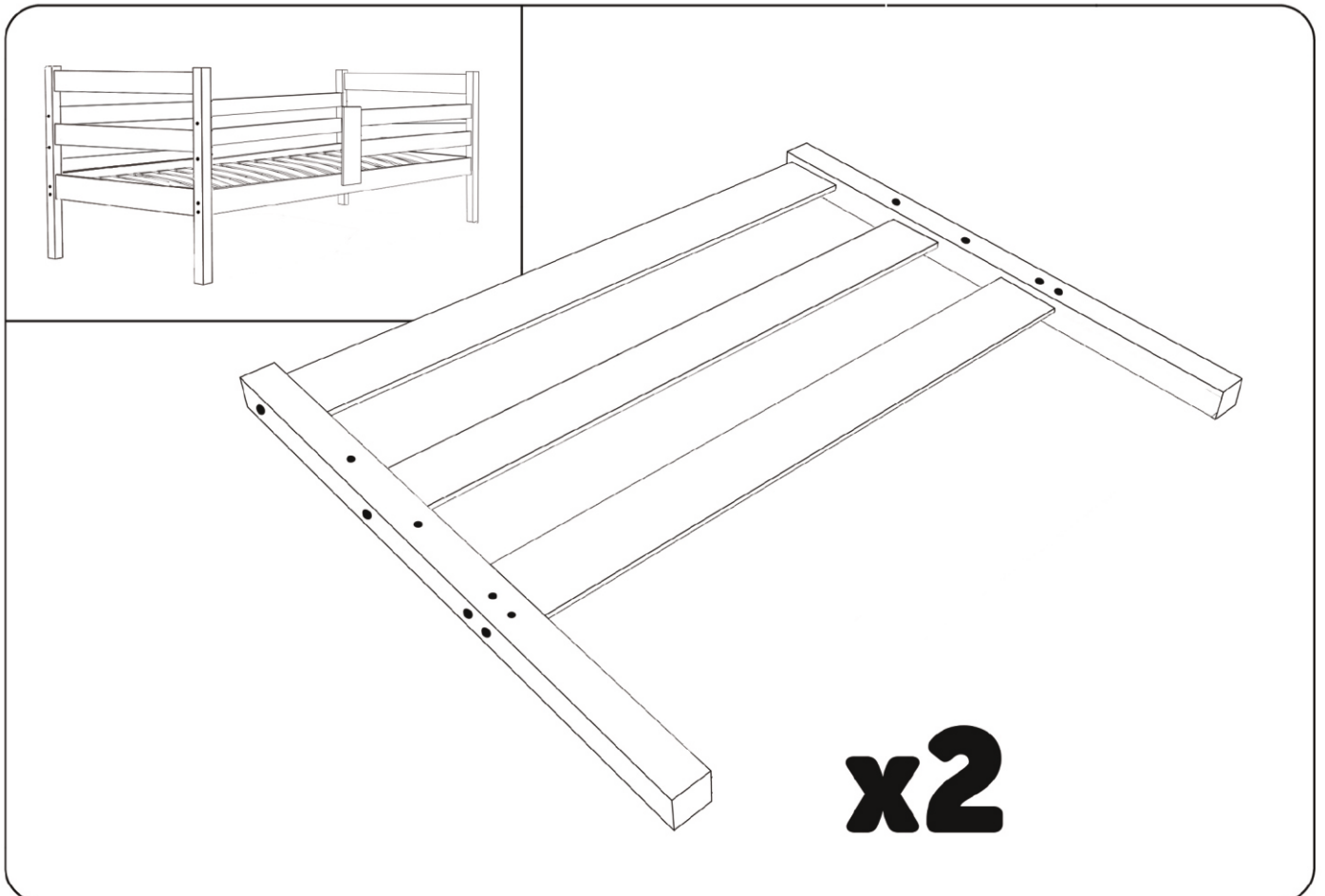


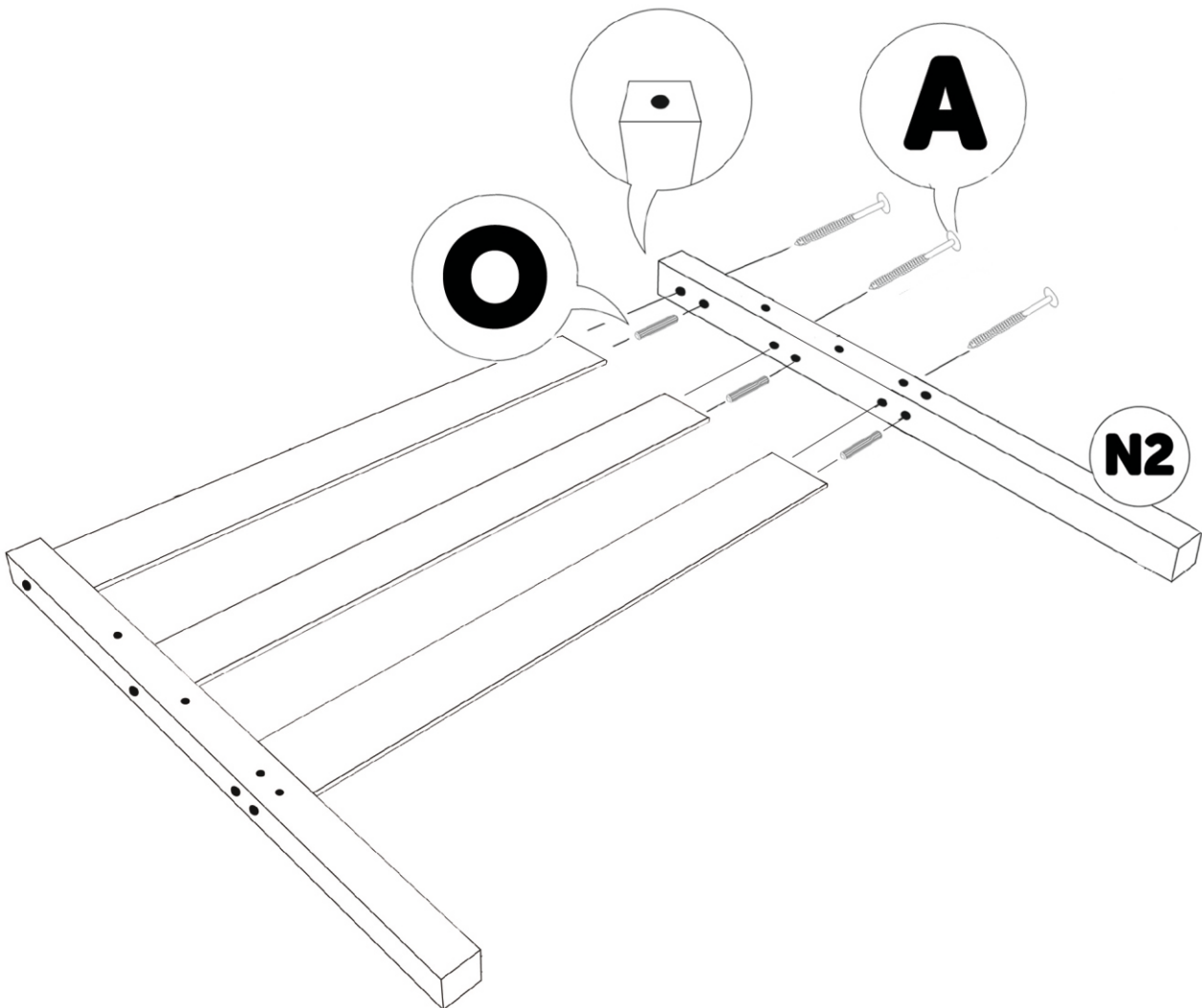
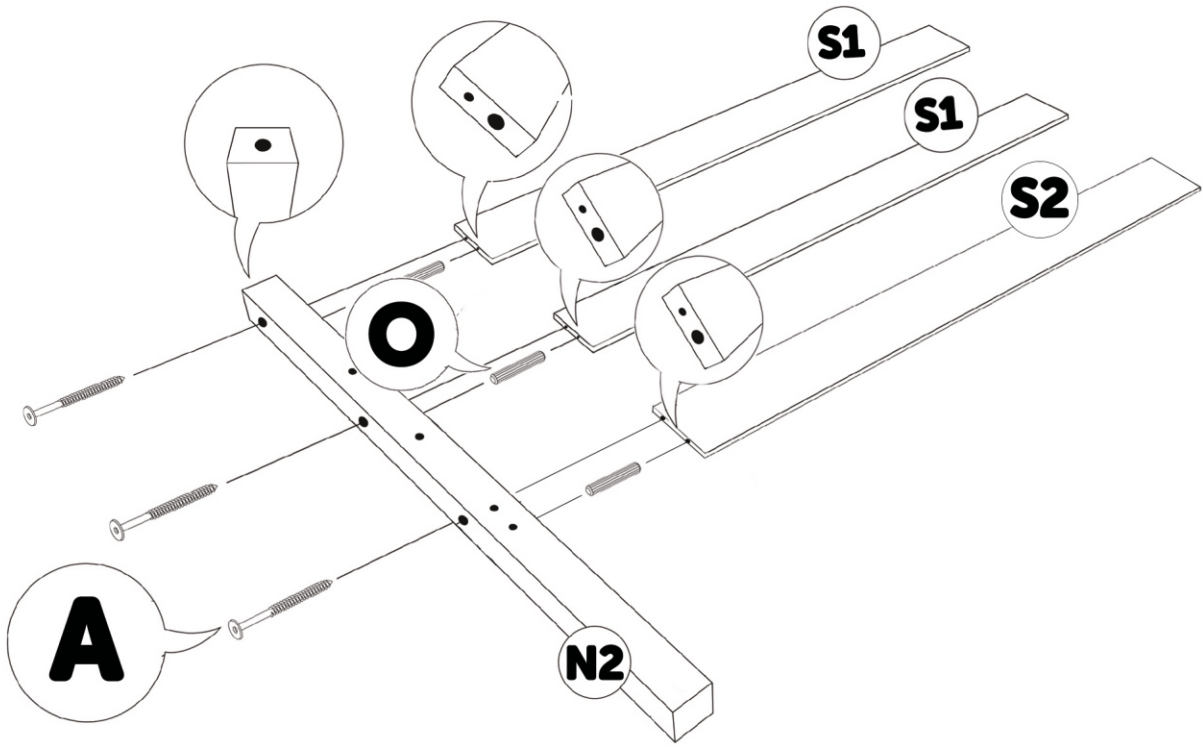
N
4x

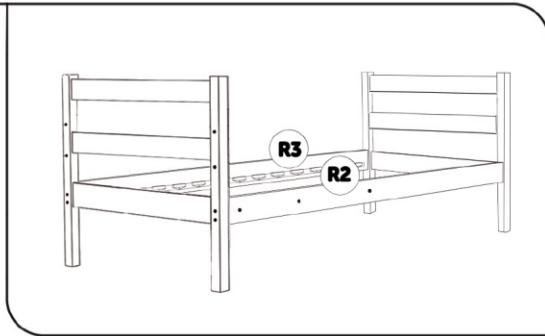
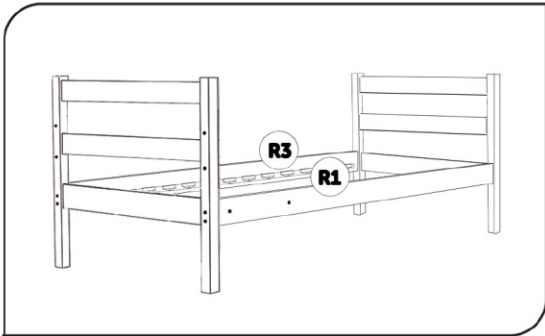




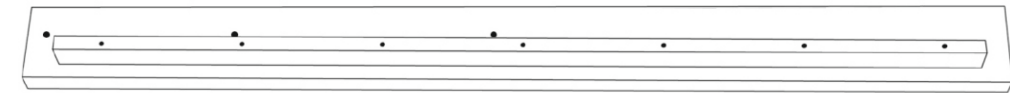
7



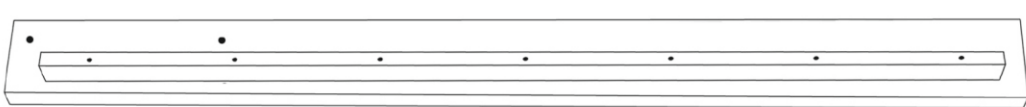




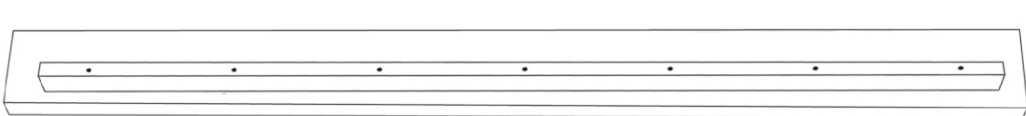
1x_{R2}



1x_{R1}



2x_{R3}



4x

R1

R2

R3

R3

2cm

E

R1

R5



4X

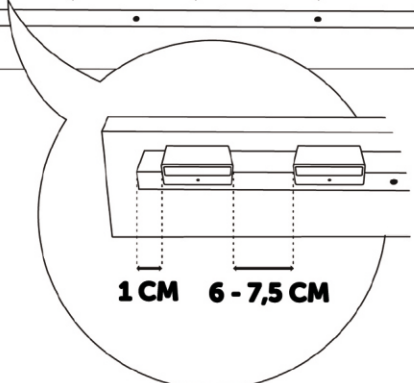
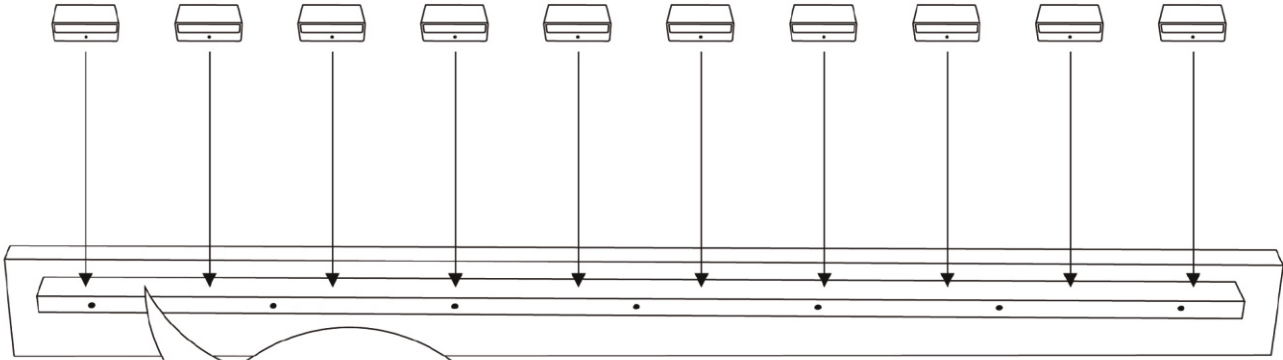
R1

R2

R3

R3

M16X



4X

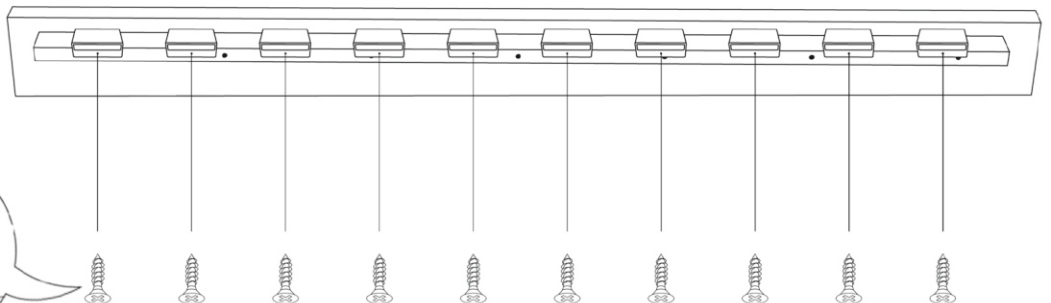
R1

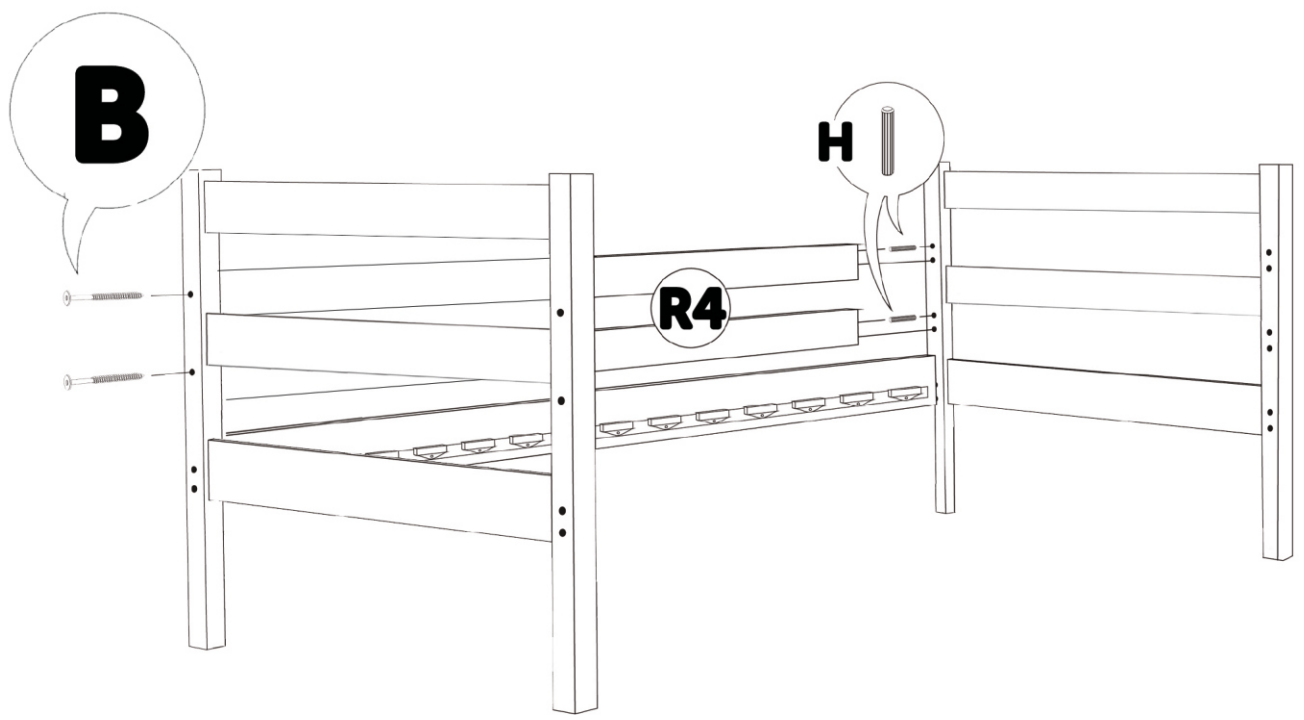
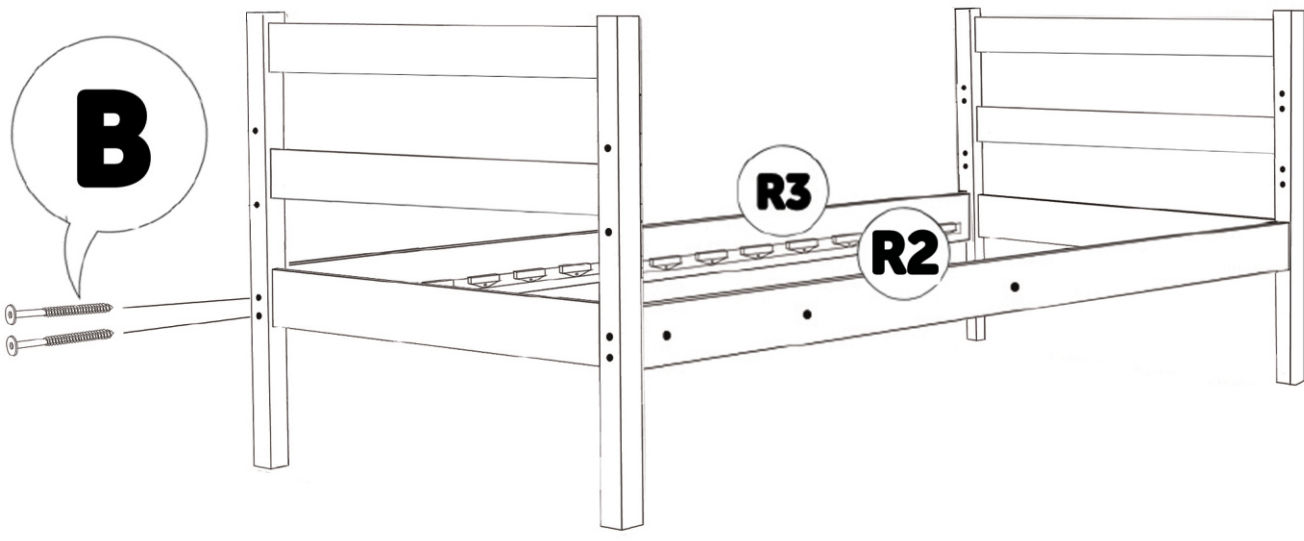
R2

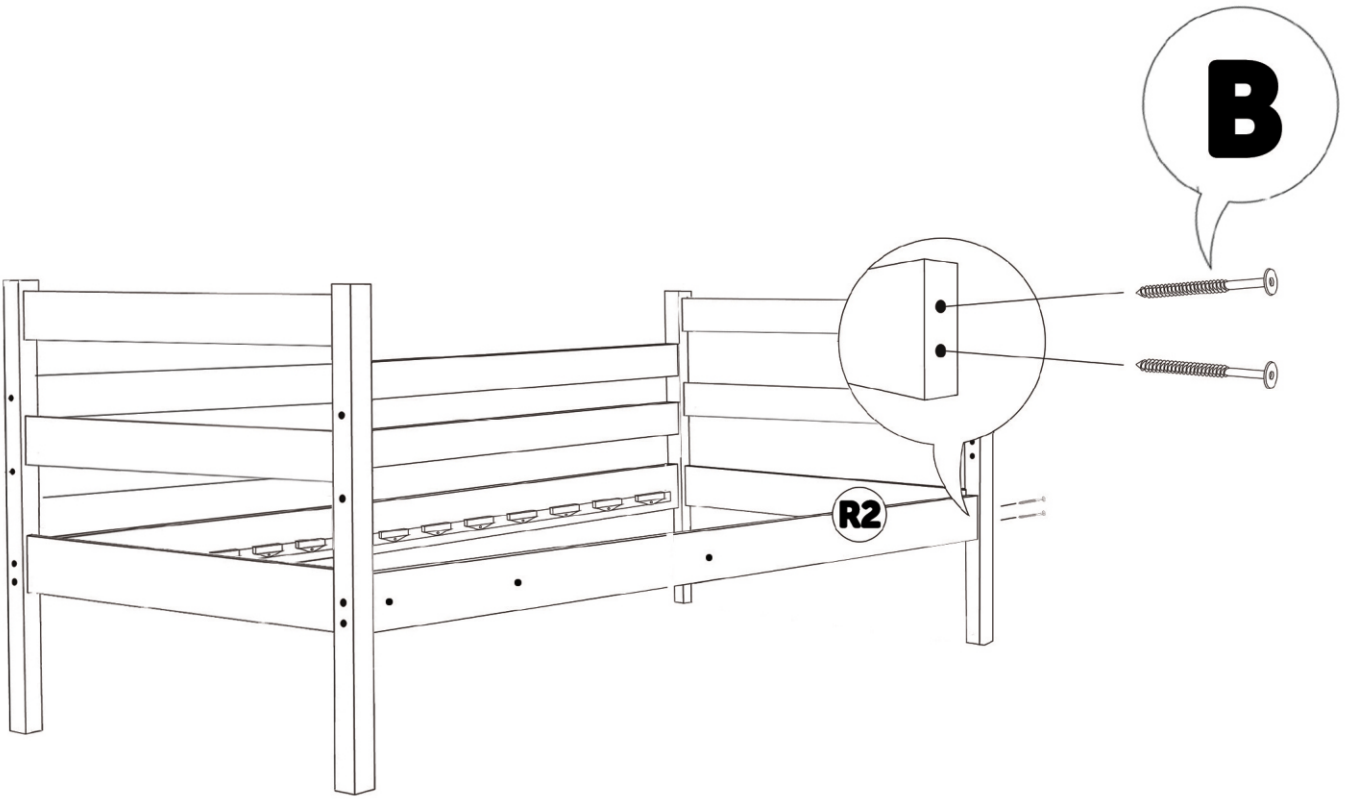
R3

R3

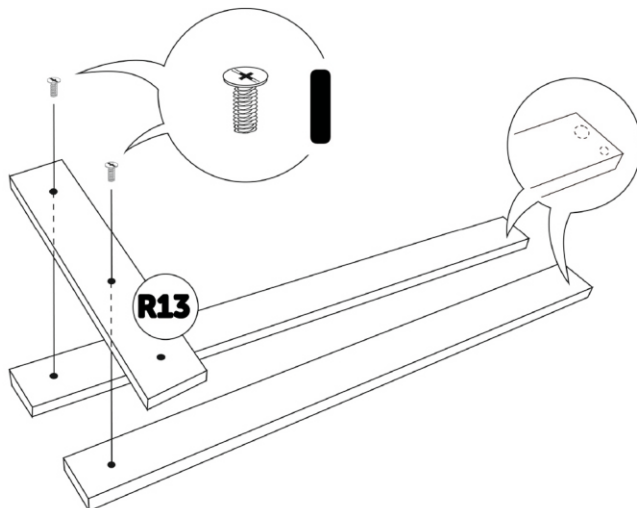
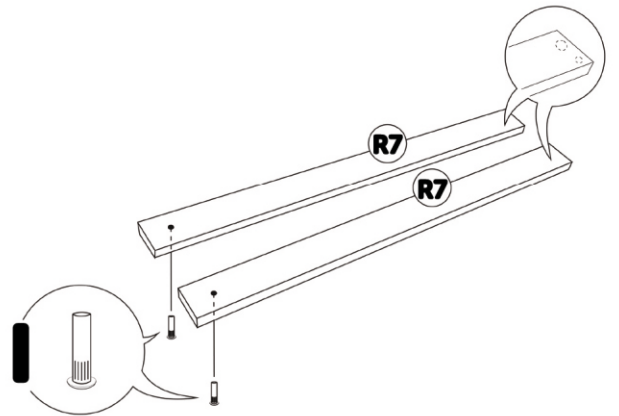
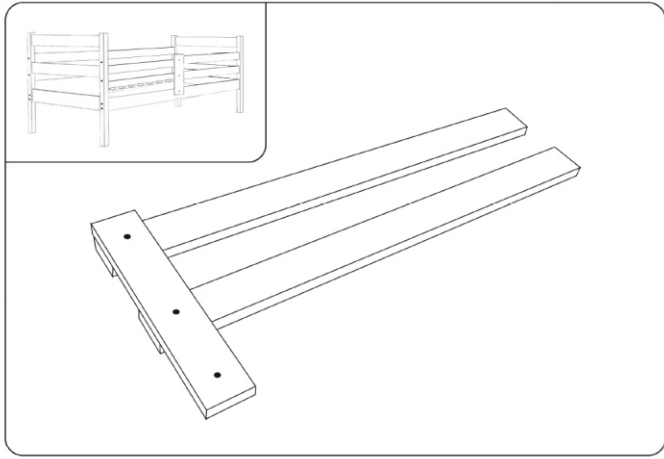
D



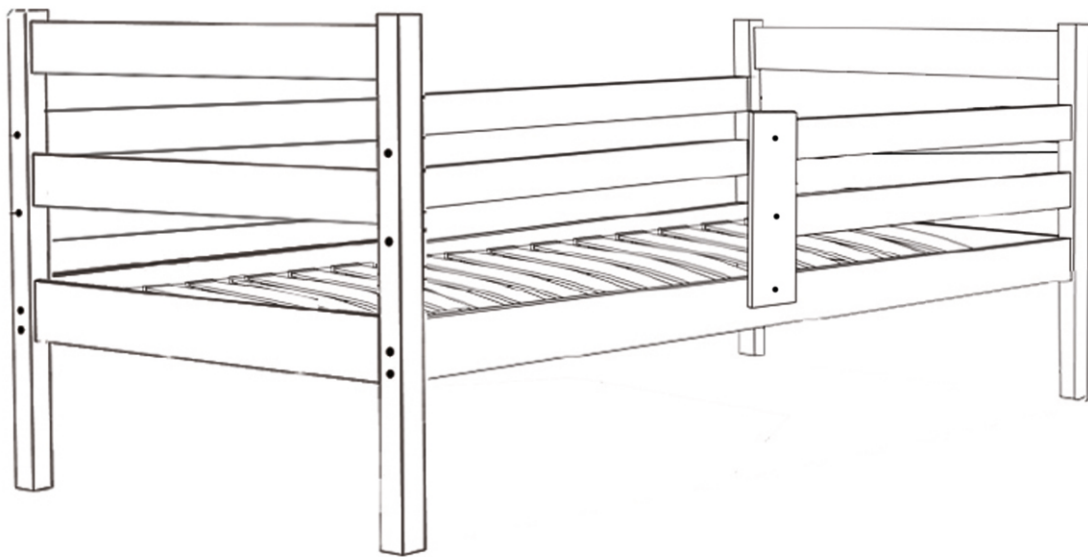




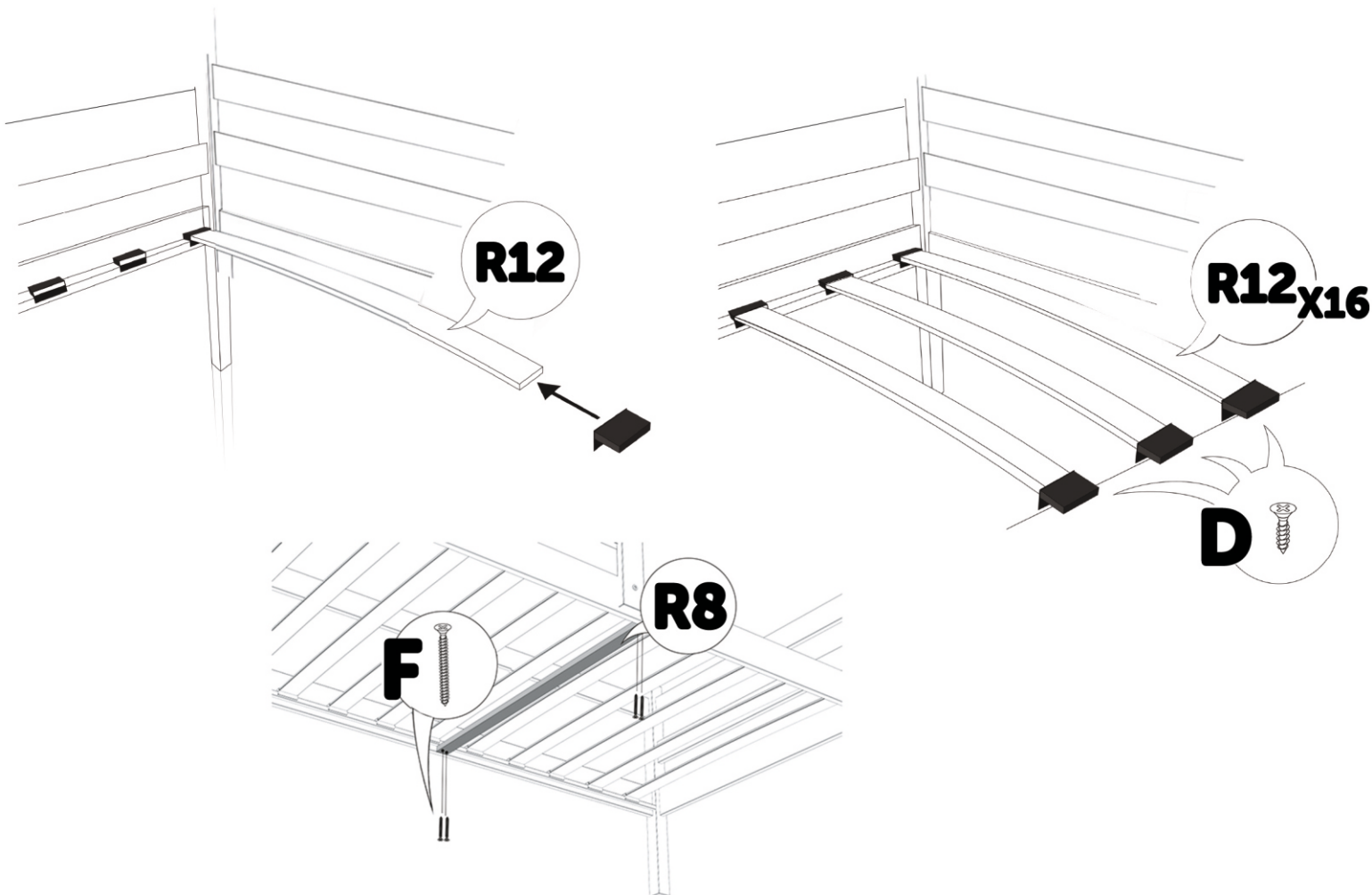
17



18



19



20

