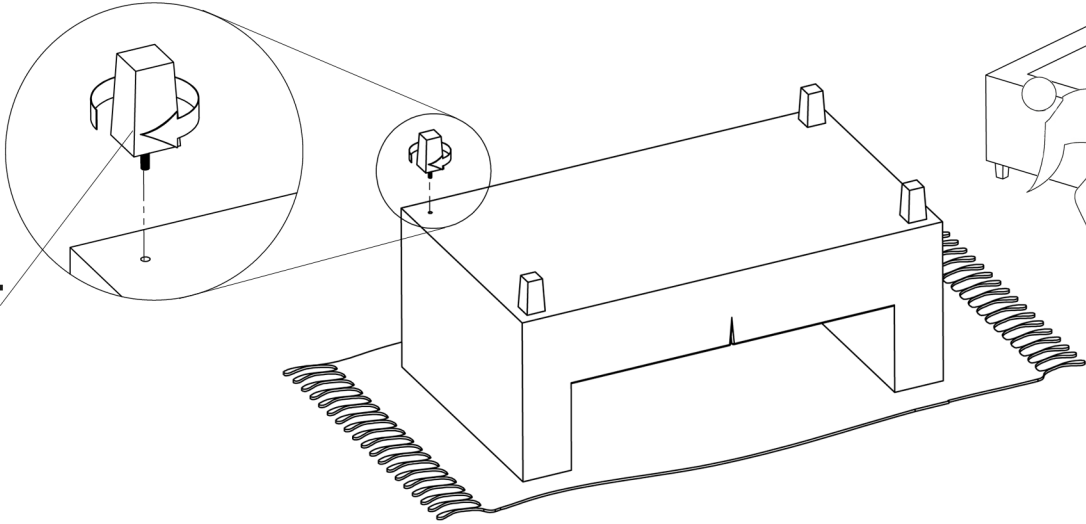
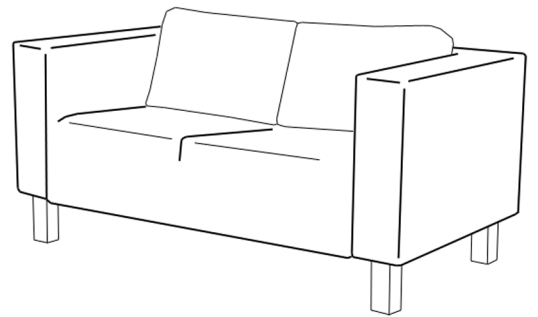
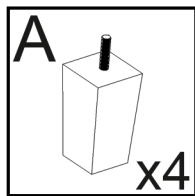


1

A x4

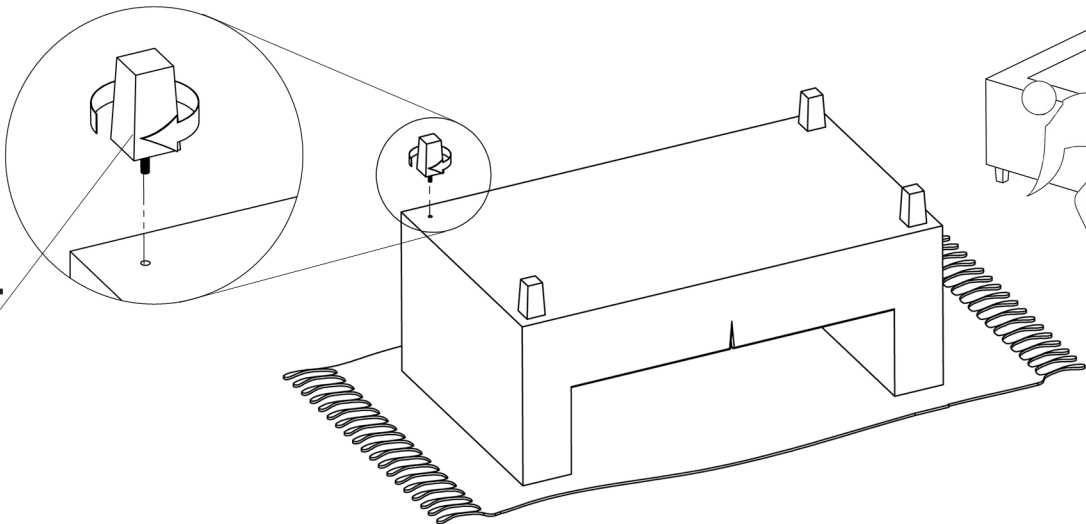


1/2

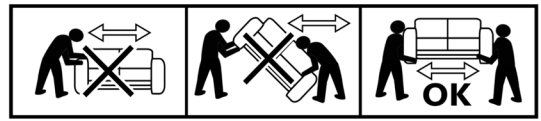
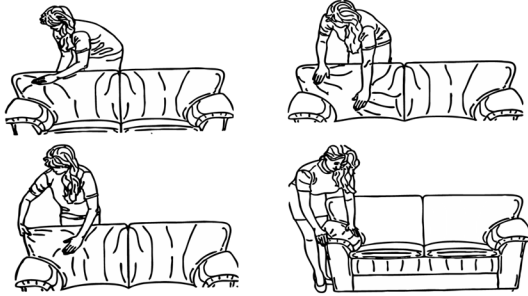
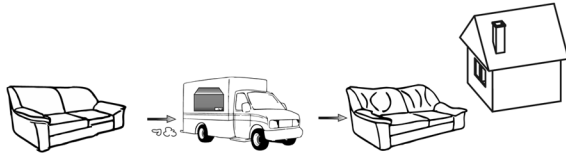
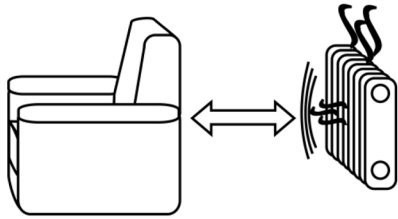


1

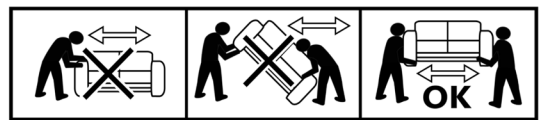
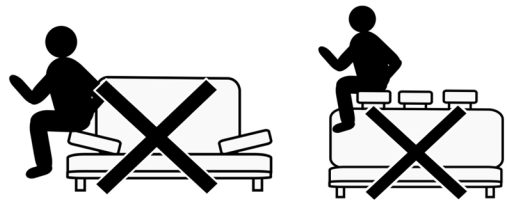
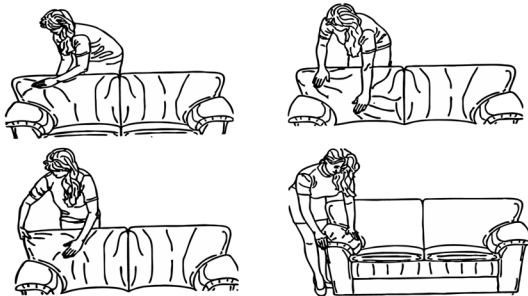
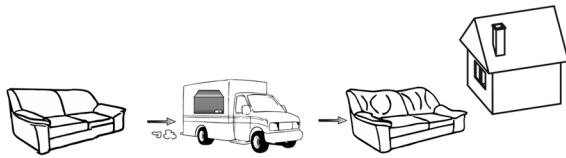
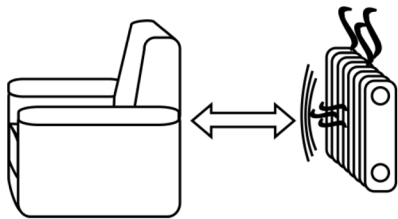
A x4



1/2



2/2



2/2