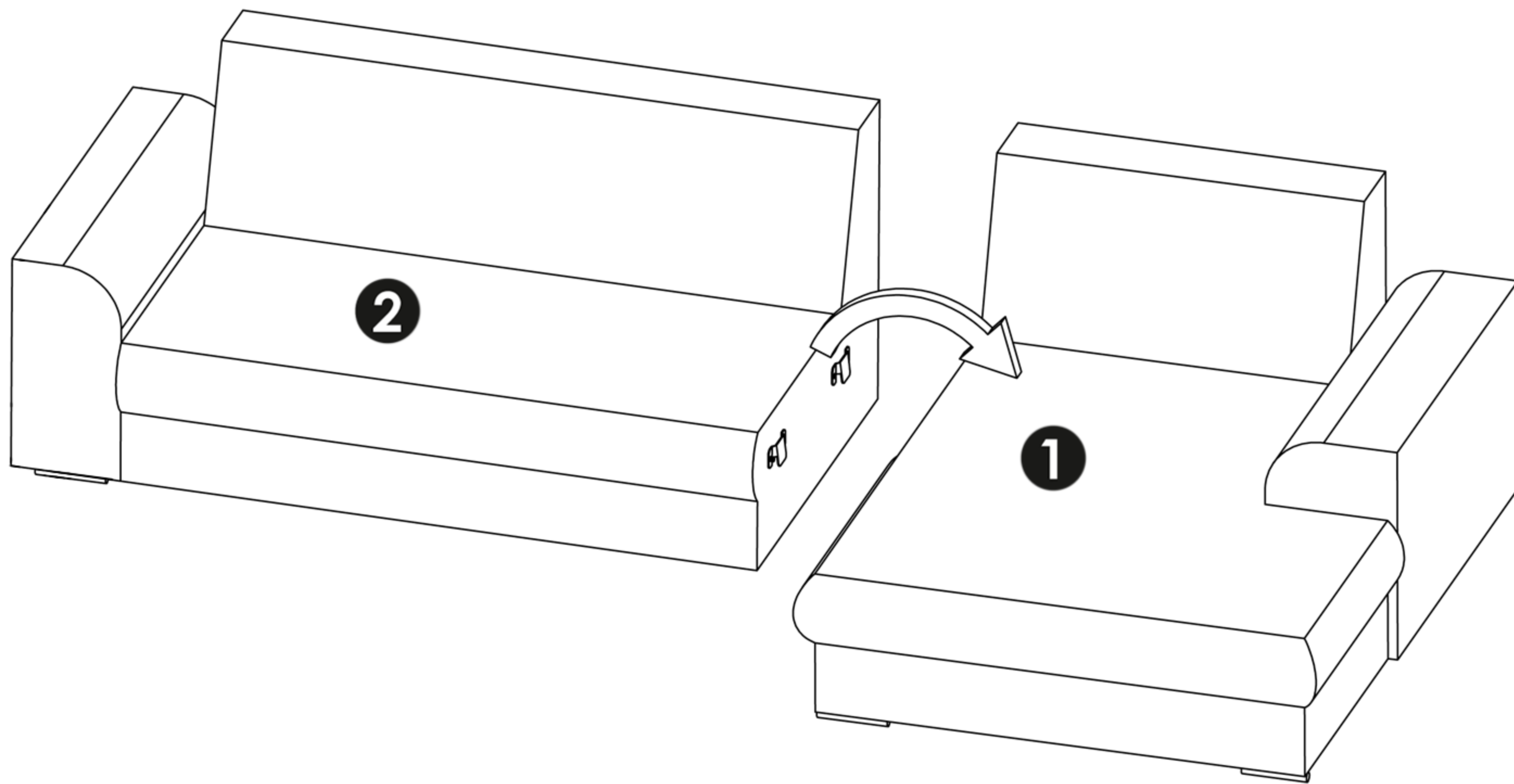
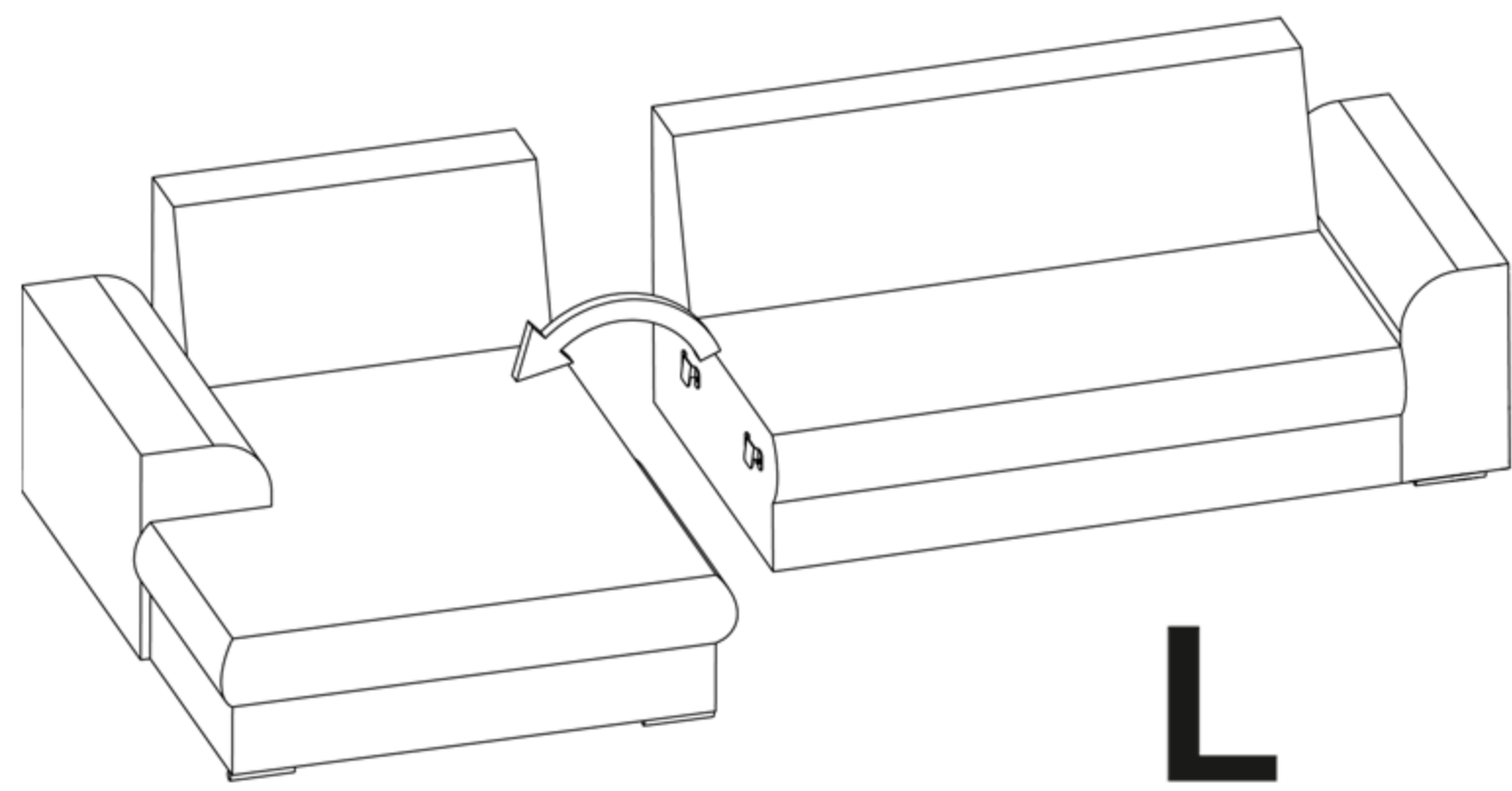
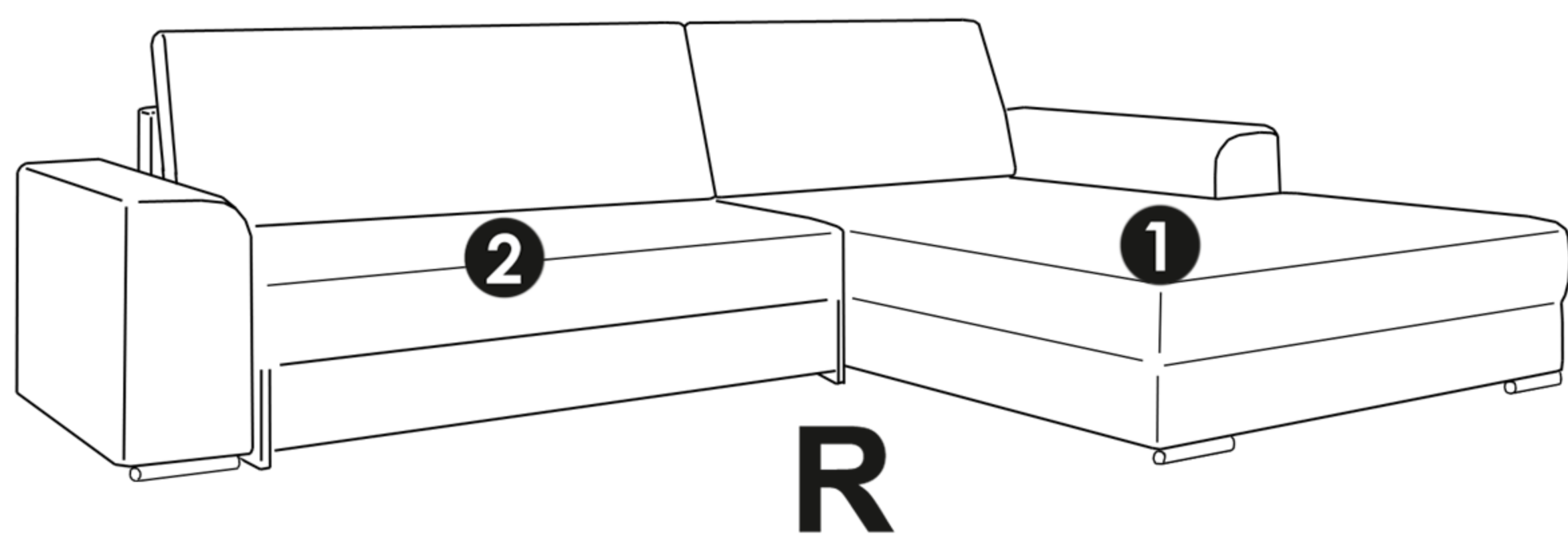


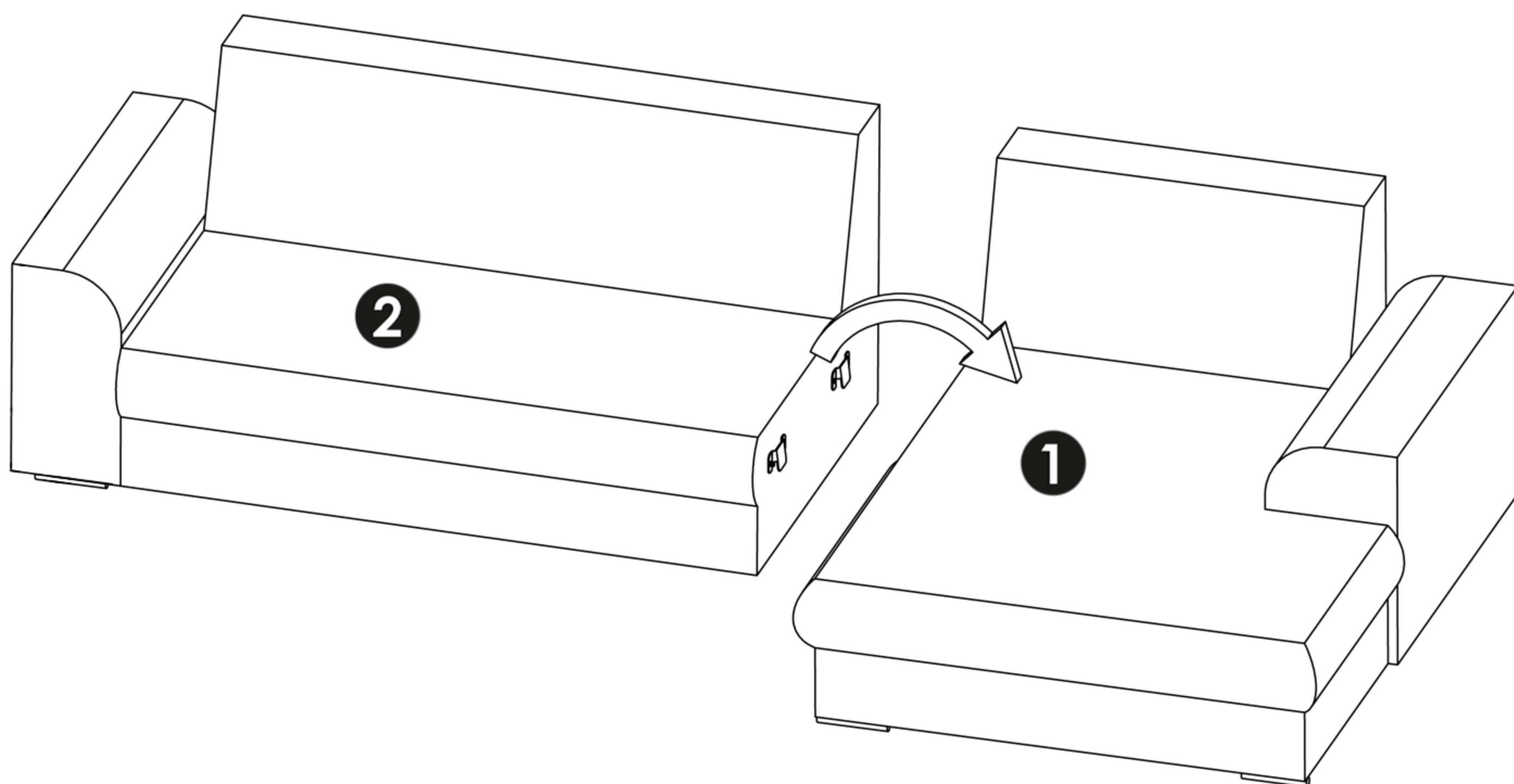
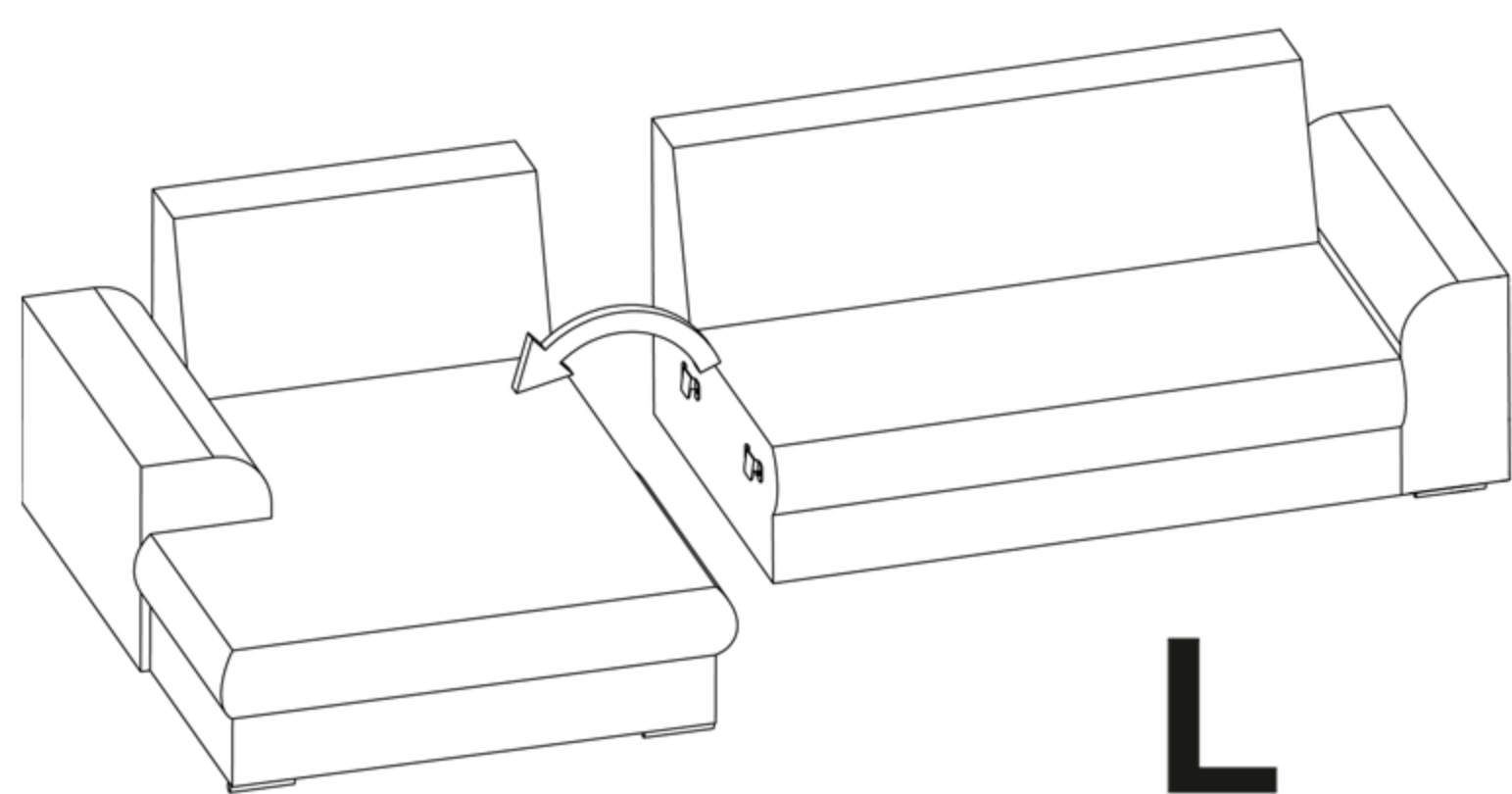
1



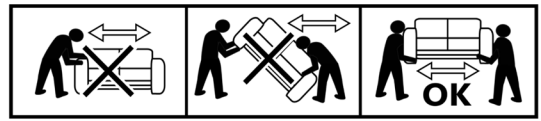
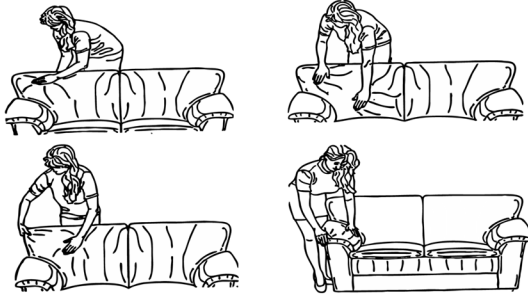
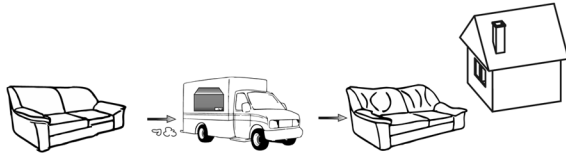
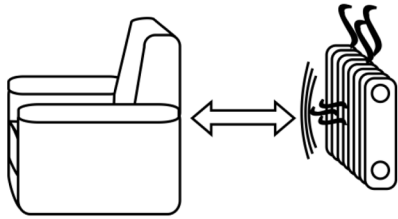
1/2



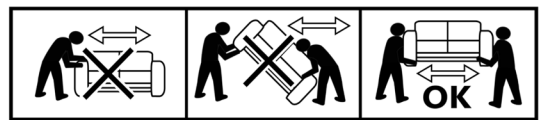
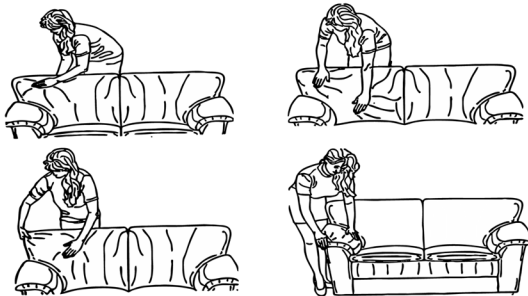
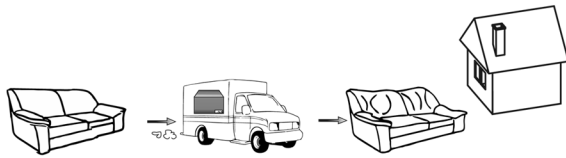
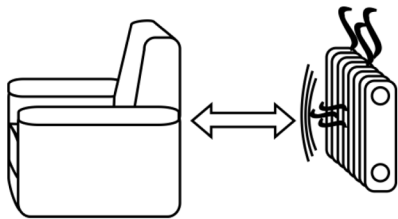
1



1/2



2/2



2/2