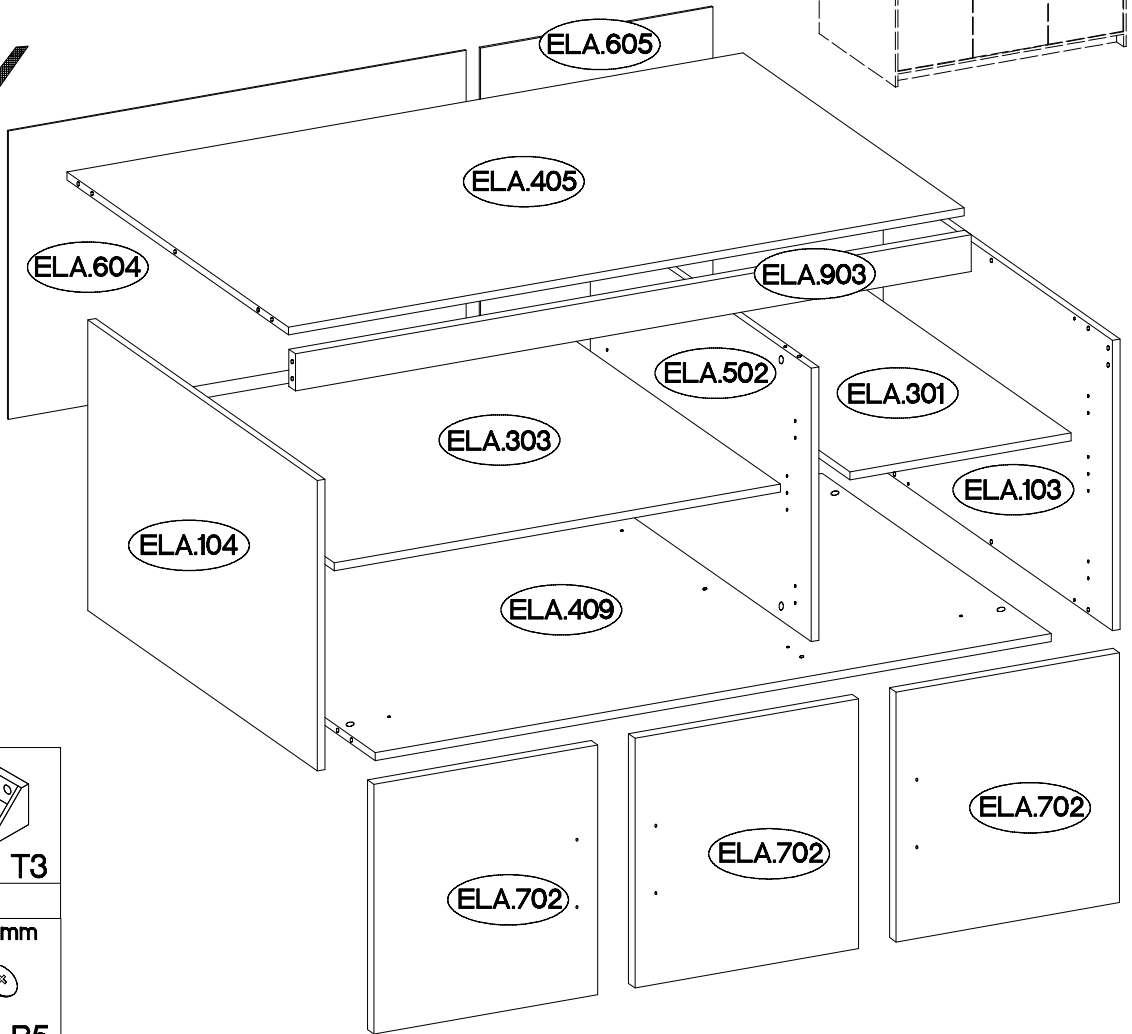
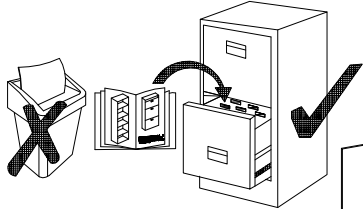
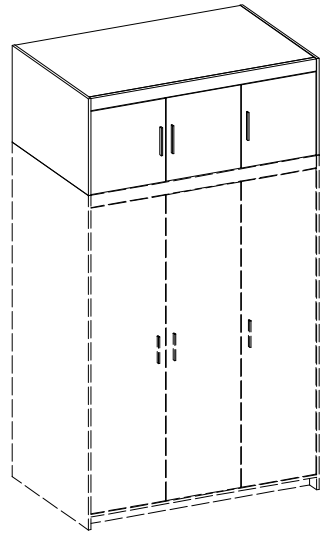
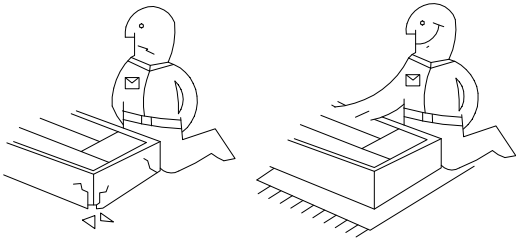


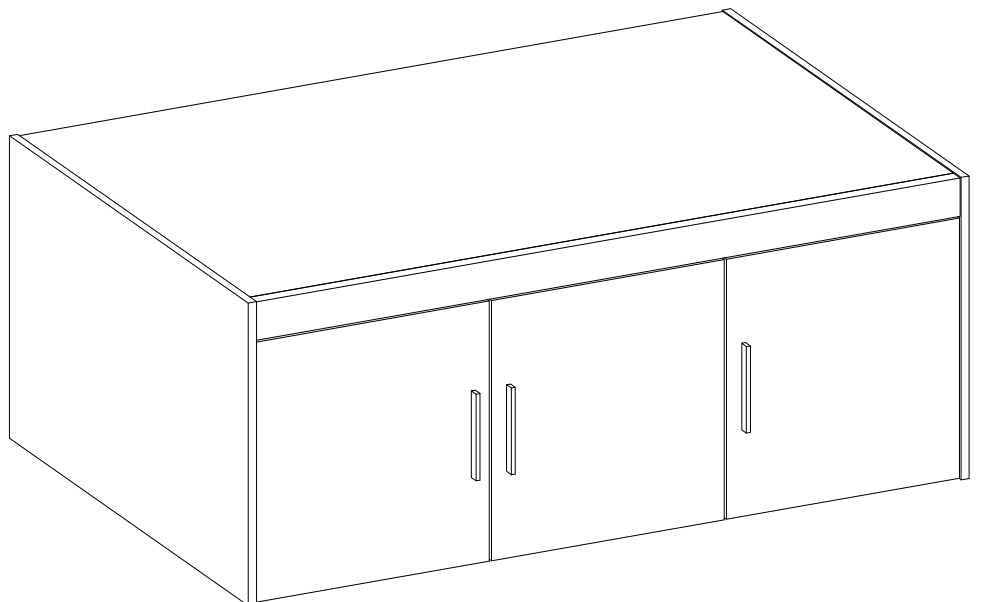
3D



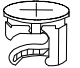
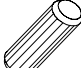

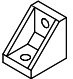

ELA.301 = max. 5kg

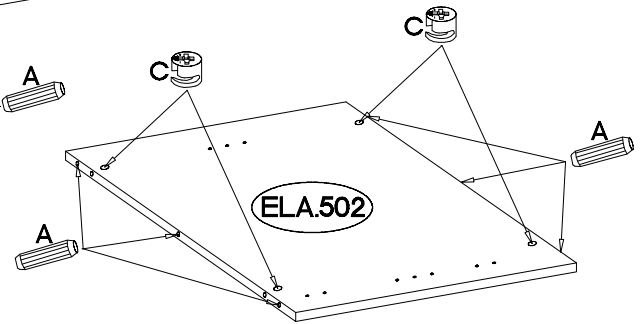
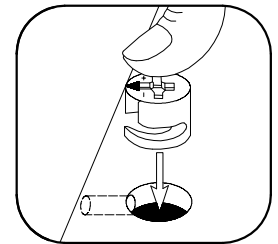
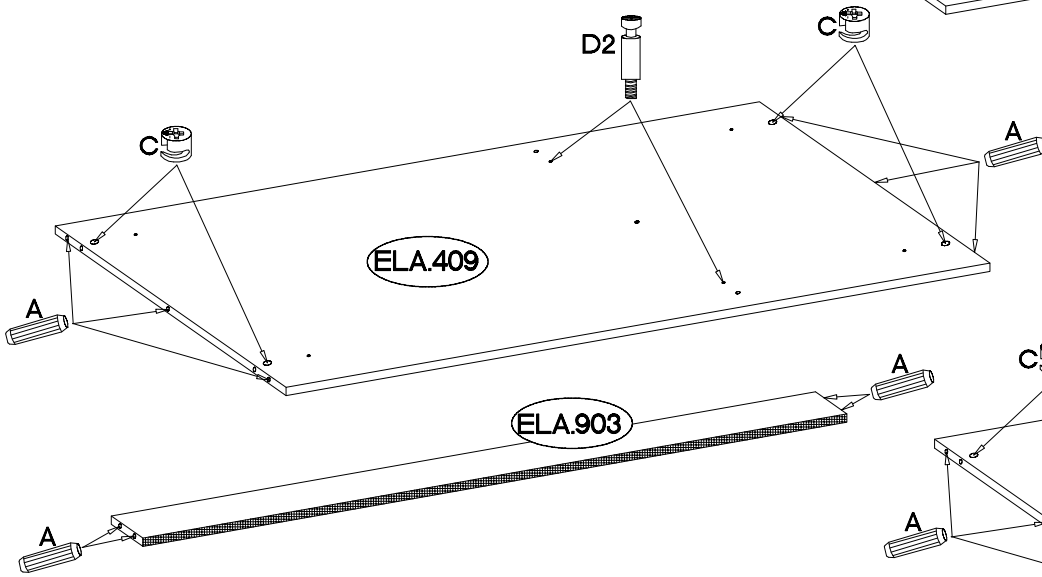
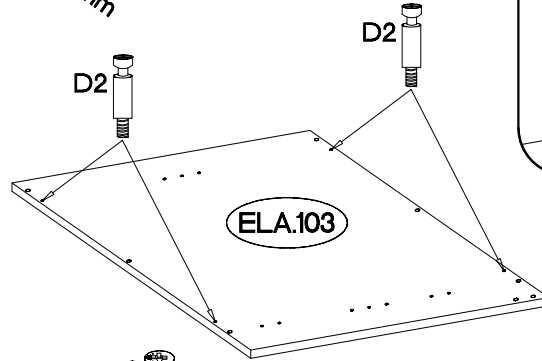
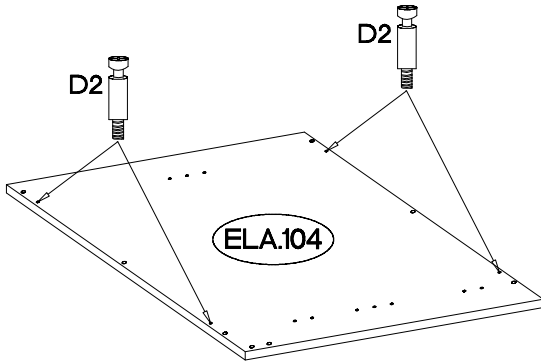
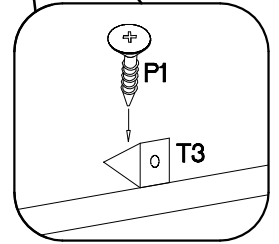
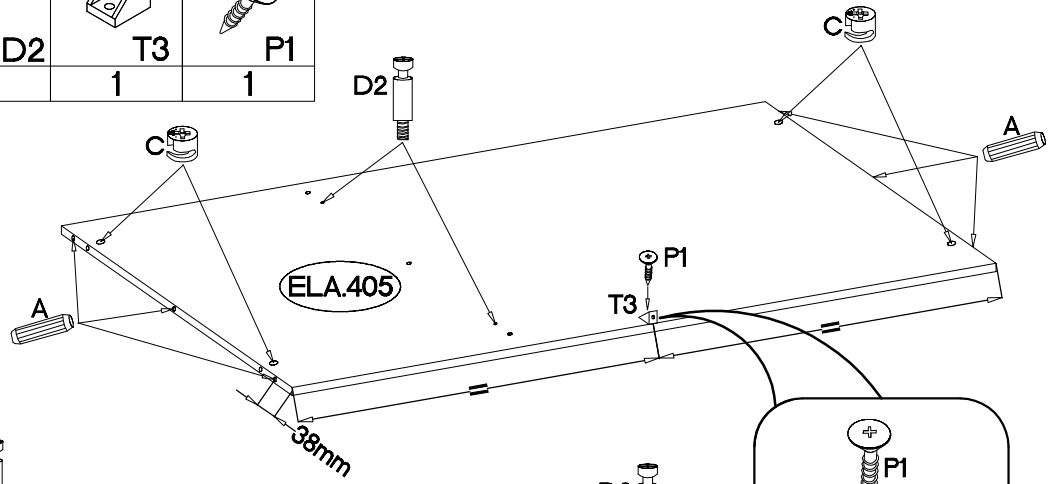
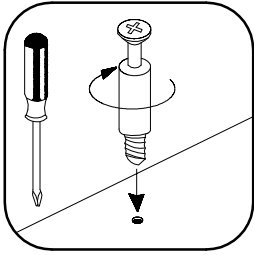
ELA.303

4		
±35/9mm	±4.0x16mm	
G1	P1	T3
2	2	1
±35/16mm	H=0	±3.5x13mm
G2	H	P5
4	6	12
±3.0x20mm		±4.0x25mm
P7	J3	R
28	8	4
L=20mm	L=128mm	±4.0x27mm
D2	S11	R1
12	3	6
±15/12mm		±8x30mm
C	E	A
12	12	22

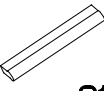
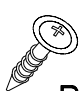
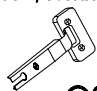





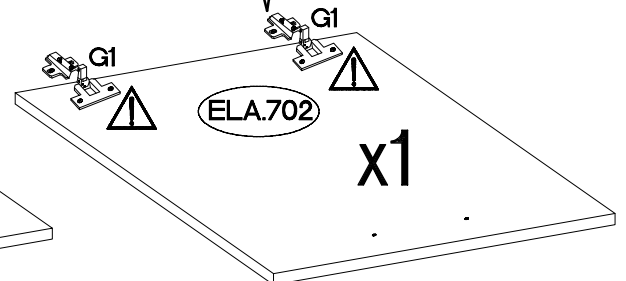
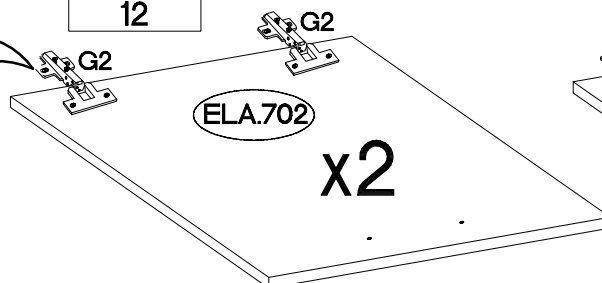
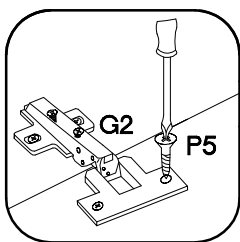
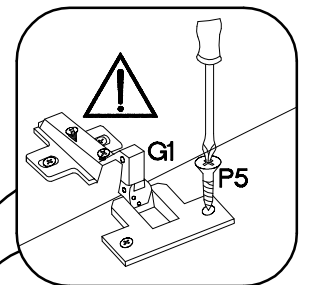
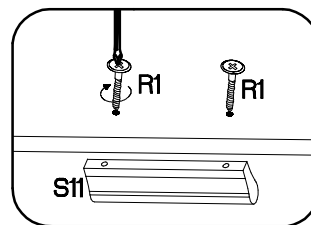
1

+15/12mm  C 12	+8x30mm  A 22	L=20mm  D2 12	 T3 1	+4.0x16mm  P1 1
---	--	--	---	--

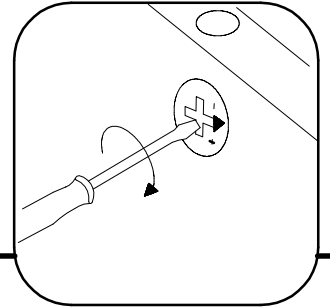
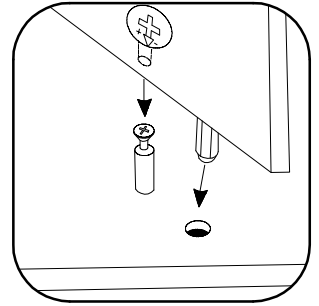
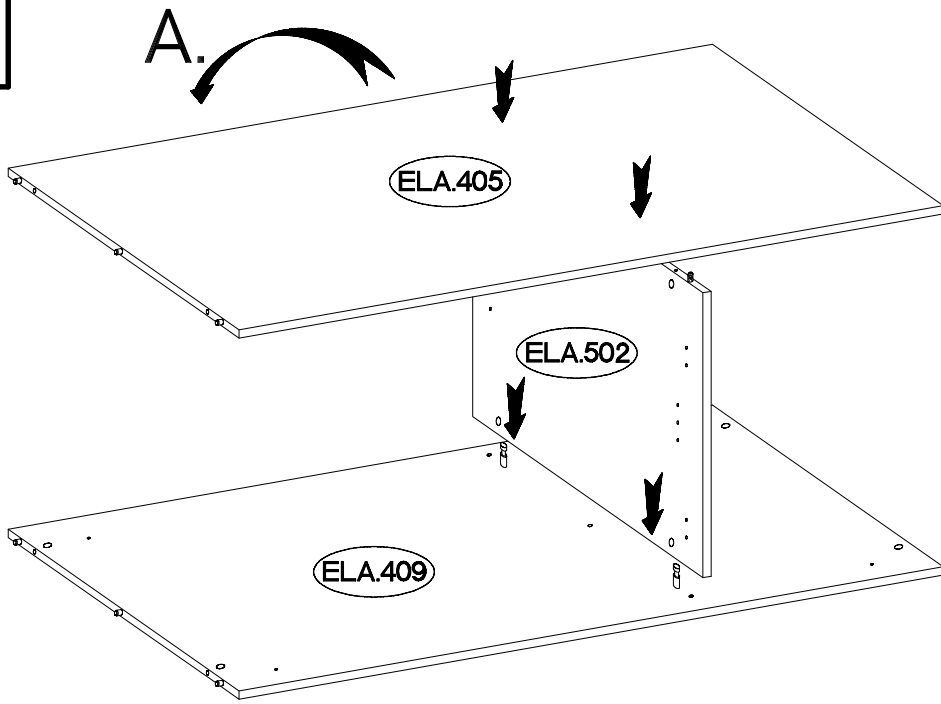


2

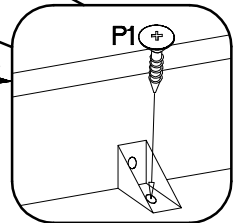
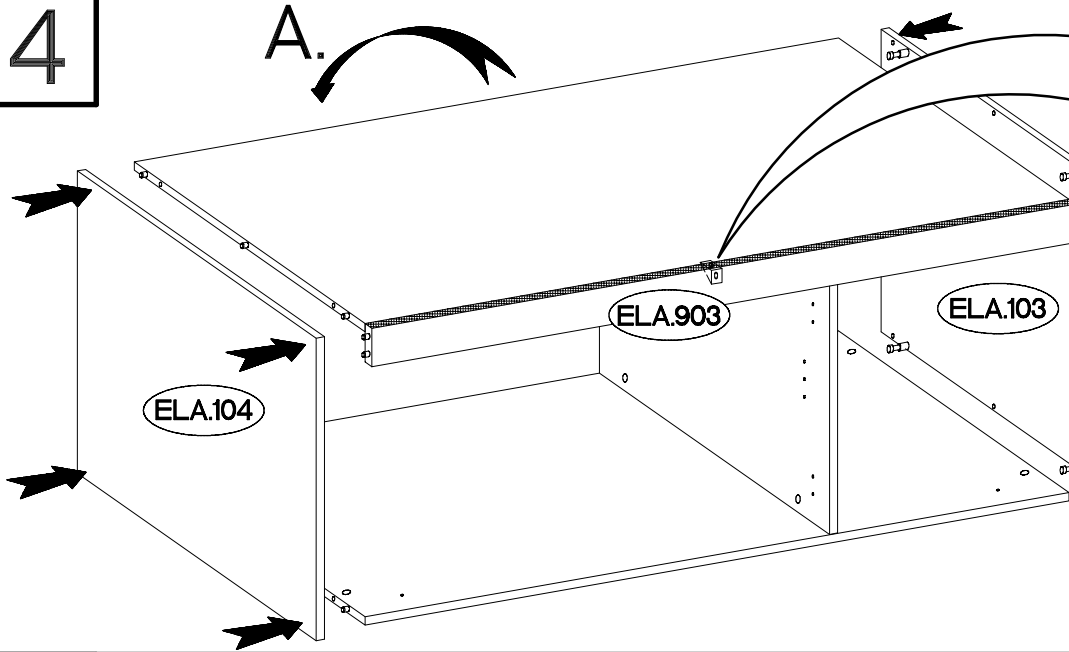
L=128mm  S11 3	+4.0x27mm  R1 6	+35/16mm  G2 4	H=0  H 6	+35/9mm  G1 2
		+3.5x13mm  P5 12		



3



4

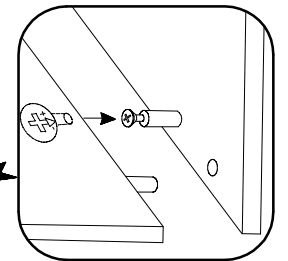


4.0x16mm

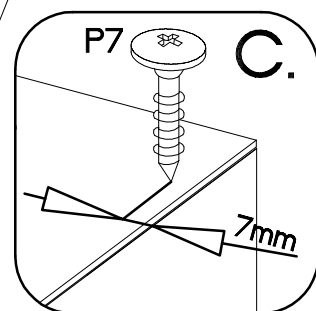
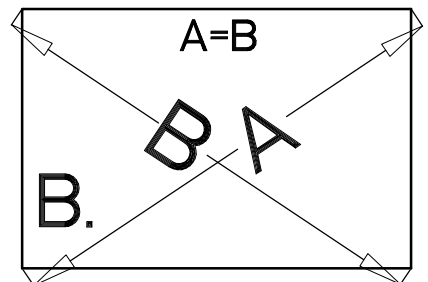
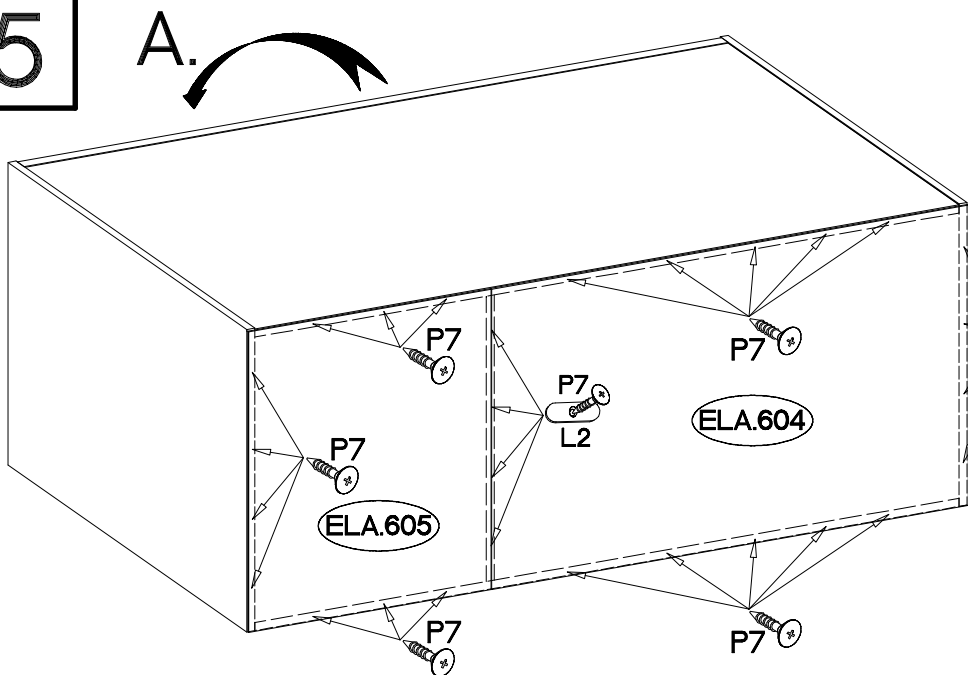


P1

1


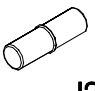
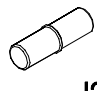


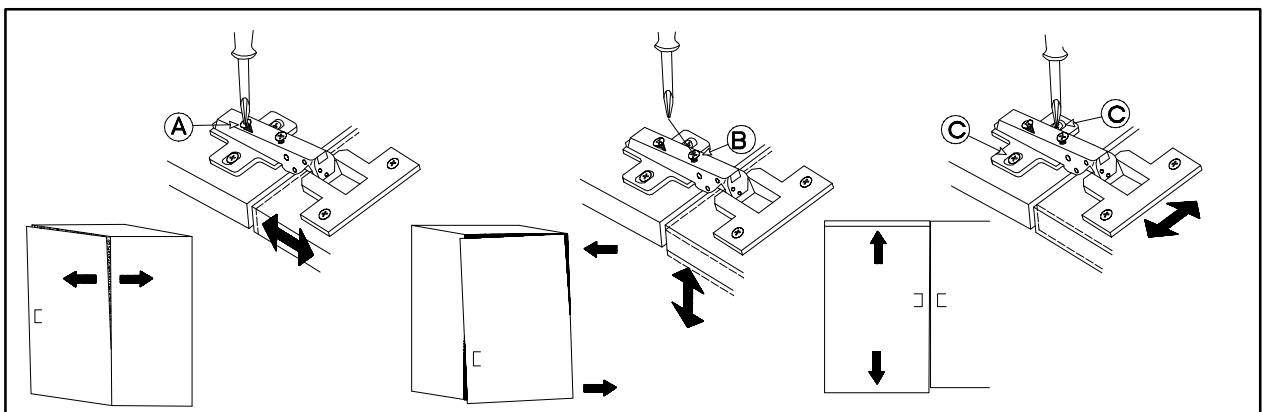
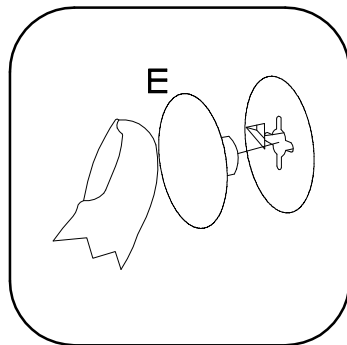
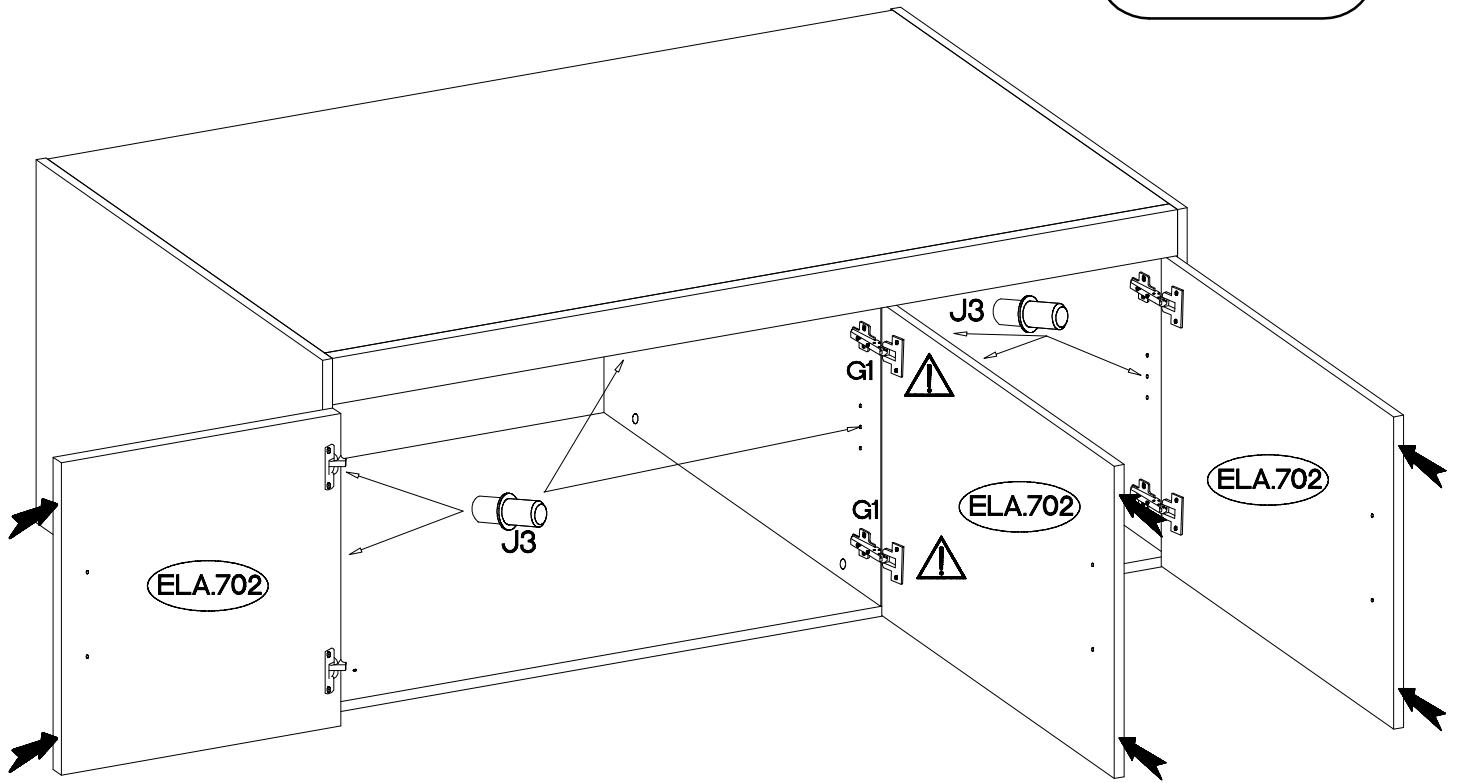
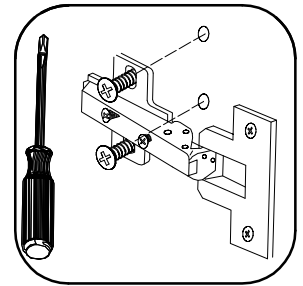
5



	L2
4	
3.0x20mm	
	P7
28	

6

 E 12	 J3 8	 J3 8
---	---	---



7

4.0x25mm



R

4

