

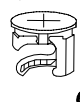
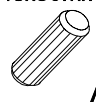
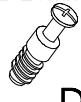
ELA.302 = max. 5kg

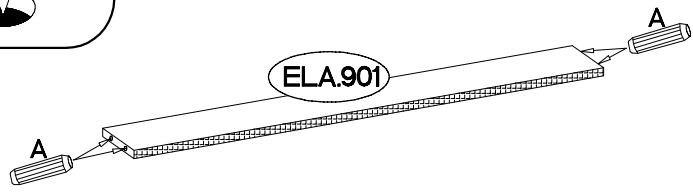
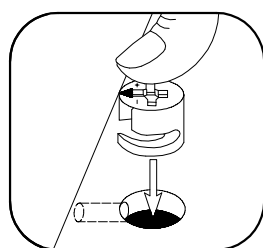
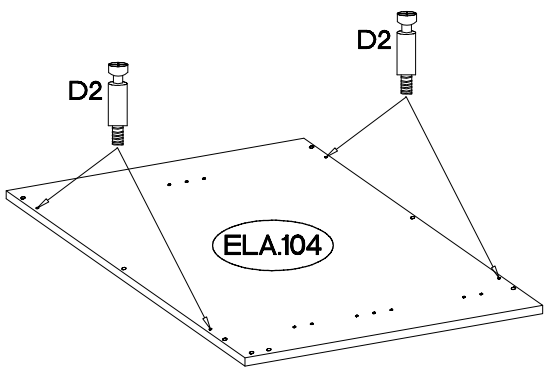
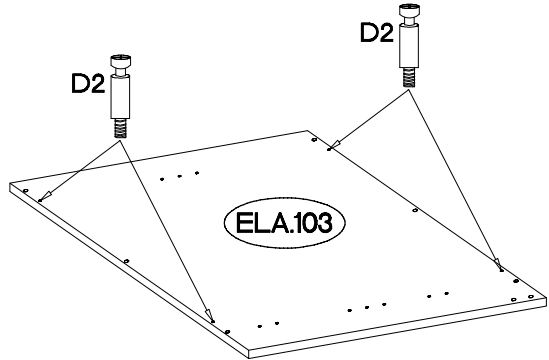
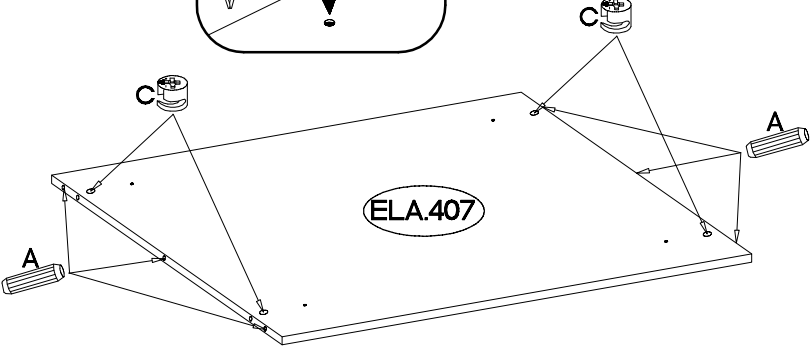
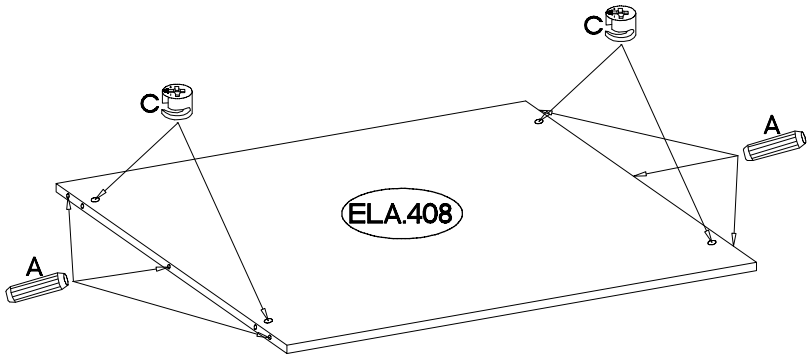
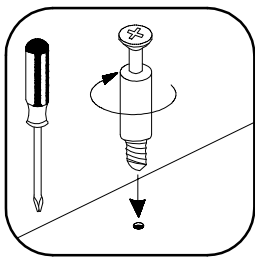
 R 4	 G2 4	 H 4	 P5 8
------------	-------------	------------	-------------

 S11 2	 R1 4	 P7 20	 J3 4	 C 8	 E 8	 A 16	 D2 8
--------------	-------------	--------------	-------------	------------	------------	-------------	-------------

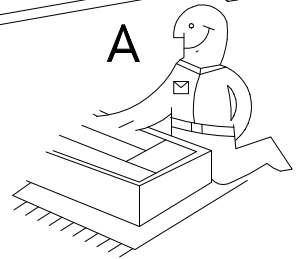
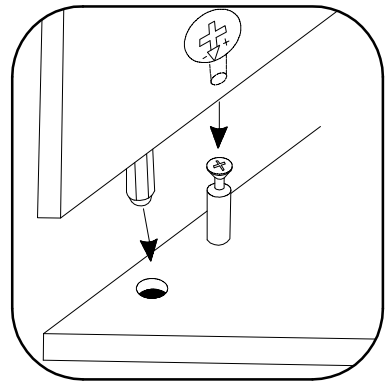
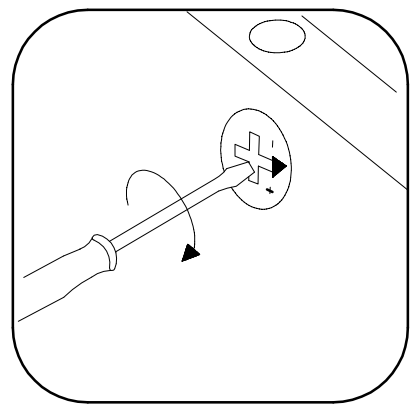
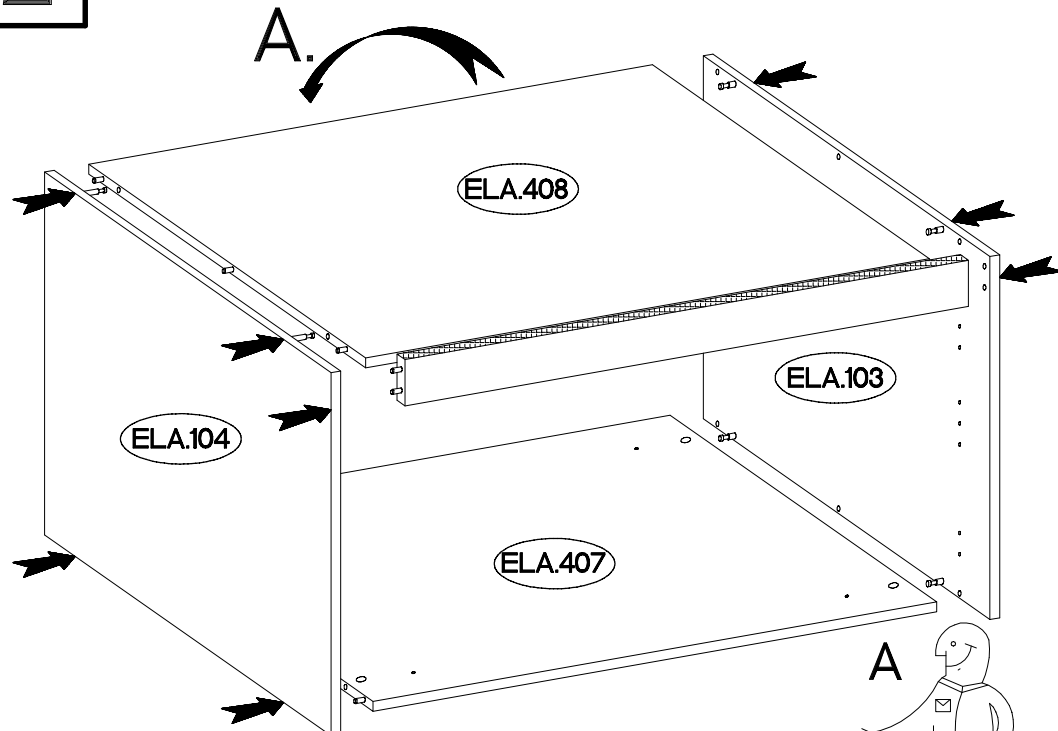
ISM-ELA-03

1

$\varnothing 15/12\text{mm}$ 	$\varnothing 8 \times 30\text{mm}$ 	L=20mm 
C 8	A 16	D2 8



2



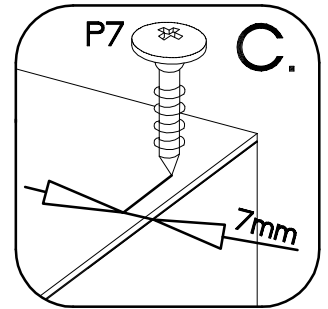
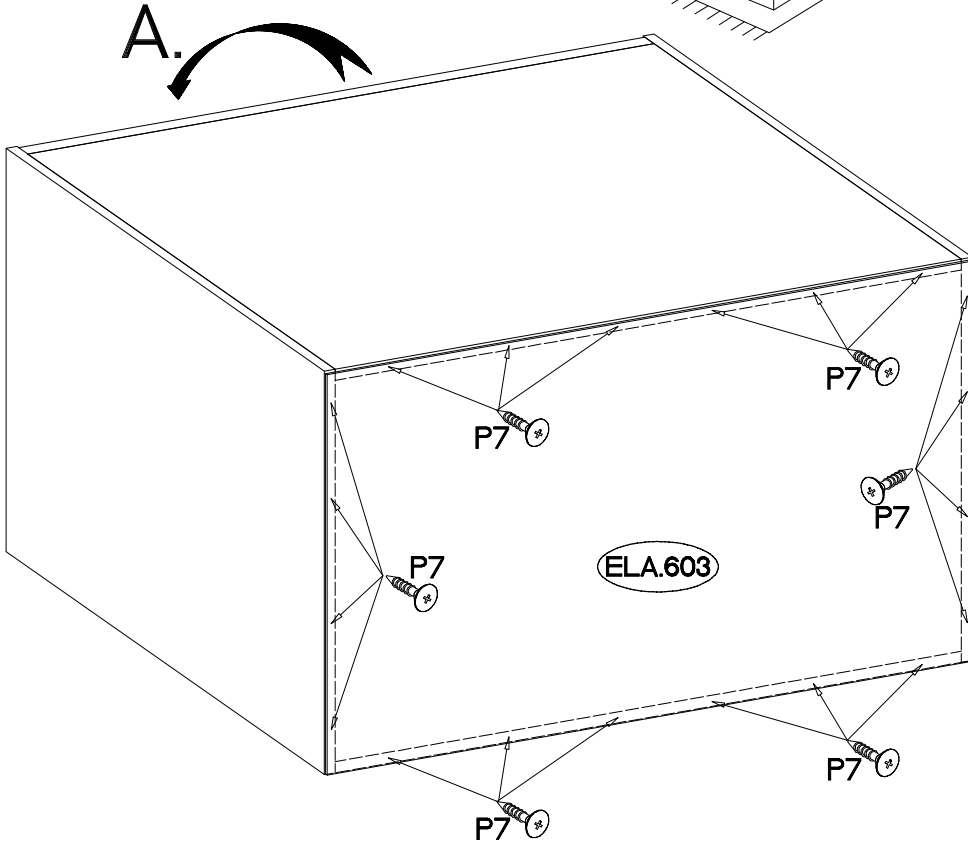
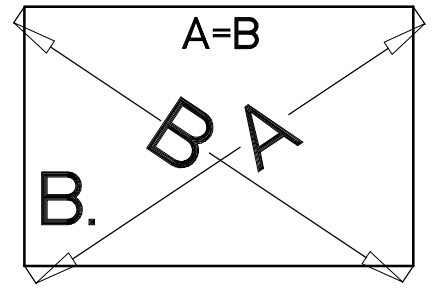
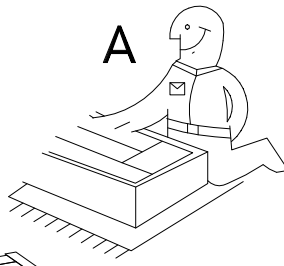
3

±3.0x20mm



P7

20



4

±35/16mm



G2

4

H=0



H

4

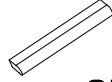
±3.5x13mm



P5

8

L=128mm



S11

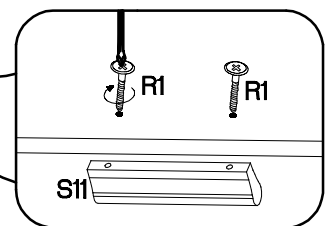
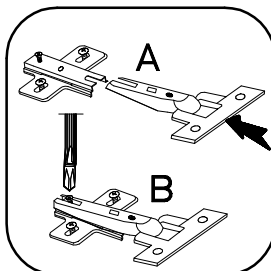
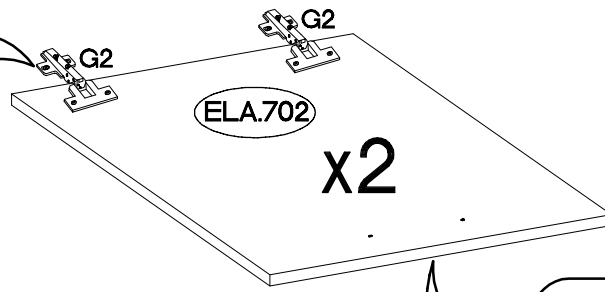
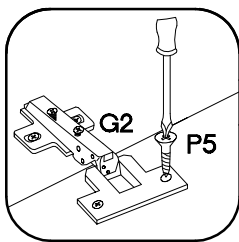
2

±4.0x27mm

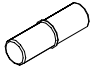



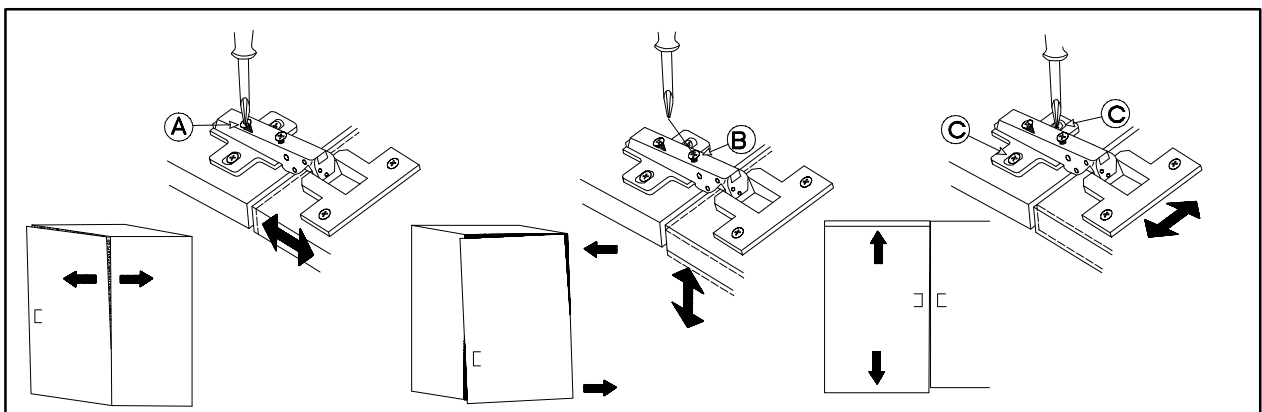
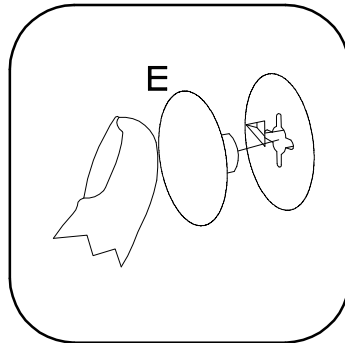
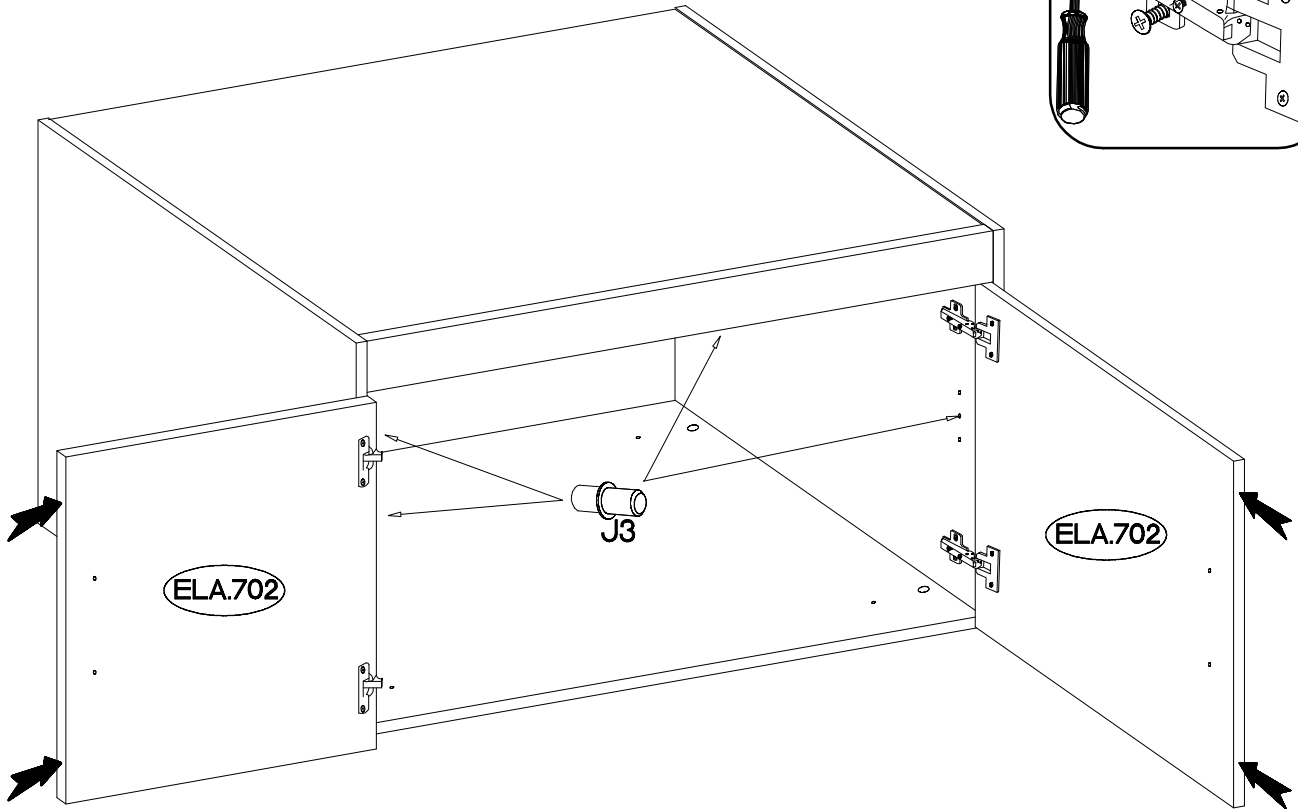
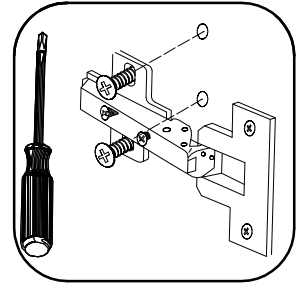
R1

4



5

	
J3	E
4	8



6

±4.0x25mm



R

4

